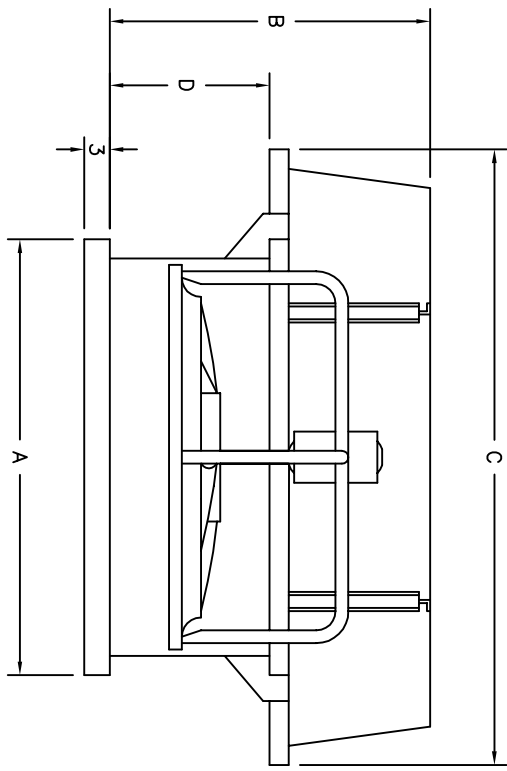
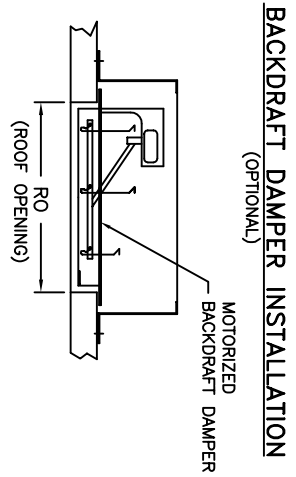


BELT DRIVE PROPELLER ROOF EXHAUSTER

RPHRE
REV.#1 12/01/201

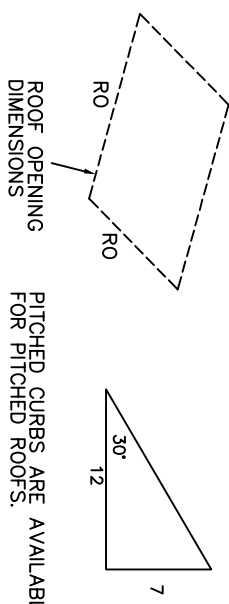
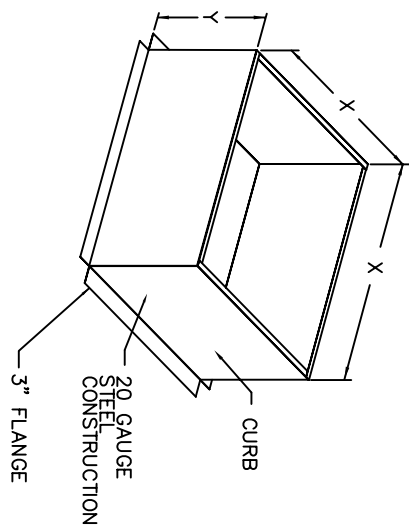


- FEATURES:**
- HEAVY GAUGE ALUMINUM CONSTRUCTION
 - BOLT-ON HOOD
 - WELDED TUBULAR FRAME
 - ALUMINUM AIRFOIL PROPELLER
 - DISCONNECT SWITCH
 - PILLOW BLOCK BEARINGS
- OPTIONS**
- BACKDRAFT DAMPER
 - ROOF CURBS
 - HIGH WIND TIE DOWN
 - FIBERGLASS FREE INSULATION
 - BIRD SCREEN



RPHREB – FAN (UL705) DIMENSIONAL DATA

| FAN MODEL | A | B | C | D | RO | WEIGHT |
|-----------|----|----|-----|----|----|--------|
| RPHREB24 | 35 | 44 | 58 | 23 | 27 | 425 |
| RPHREB30 | 41 | 44 | 66 | 23 | 33 | 550 |
| RPHREB36 | 47 | 44 | 78 | 23 | 39 | 700 |
| RPHREB42 | 53 | 51 | 87 | 30 | 45 | 800 |
| RPHREB48 | 59 | 51 | 99 | 30 | 51 | 1100 |
| RPHREB54 | 65 | 51 | 111 | 30 | 57 | 1300 |
| RPHREB60 | 71 | 51 | 111 | 30 | 63 | 1550 |



PITCHED CURBS ARE AVAILABLE FOR PITCHED ROOFS.
SPECIFY PITCH:
EXAMPLE: 7/12 PITCH = 30° SLOPE

CURB DIMENSIONAL DATA

| FAN MODEL | X | Y |
|-----------|--------|----|
| RPHREB24 | 33-1/4 | 12 |
| RPHREB30 | 39-1/4 | 12 |
| RPHREB36 | 45-1/4 | 12 |
| RPHREB42 | 51-1/4 | 12 |
| RPHREB48 | 57-1/4 | 12 |
| RPHREB54 | 63-1/4 | 12 |
| RPHREB60 | 69-1/4 | 12 |