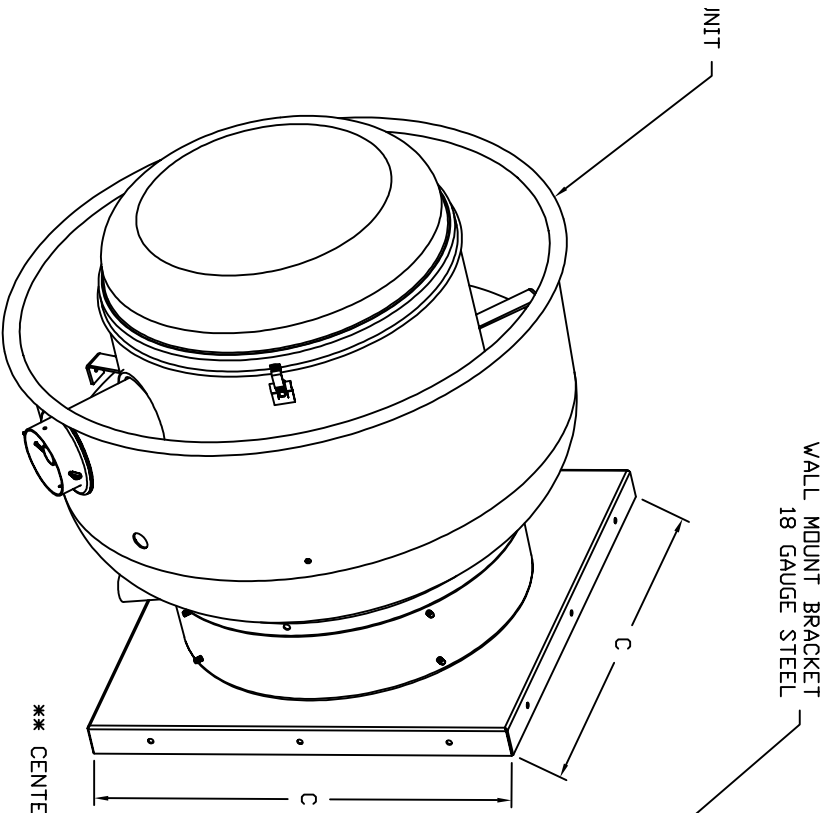
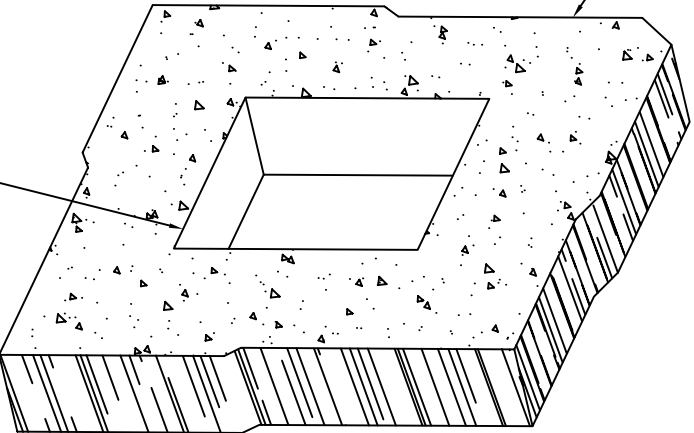
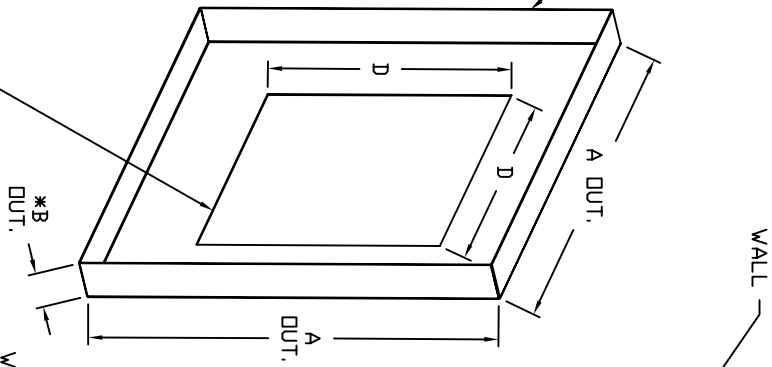


WALL MOUNT BRACKET



*** CENTER CUT ***



WALL BRACKET FITS INTO BASE OF FAN

SELF DRILLING SCREWS SHOULD BE USED FOR UNIT ATTACHMENT TO WALL MOUNT BRACKET

* 'B' DIMENSION = 5' WHEN USED WITH DAMPER
* CENTERED IN WALL MOUNT

A DUT.	B DUT.	C	D
18 1/2	2	19	13
20 1/2	2	21	16
21 1/2	2	22	16
24 1/4	2	24 3/4	20
25 1/2	2	26	20
27 1/2	2	28	24
32 1/2	2	33	28