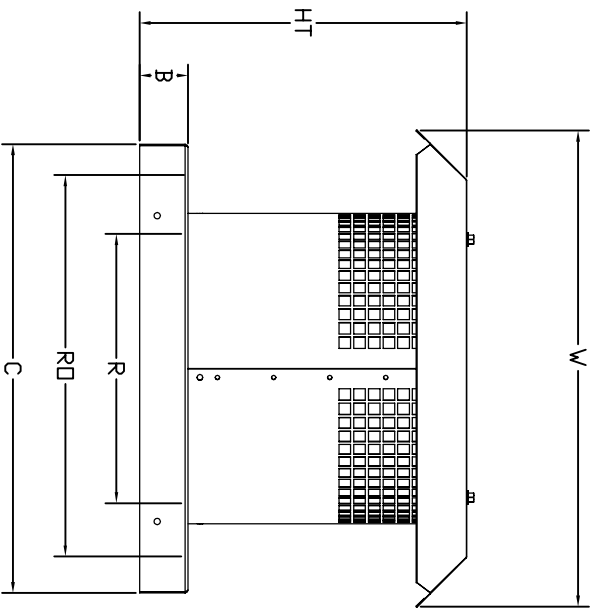


SERIES NON-MOTORIZED SQUARE GRAVITY VENT

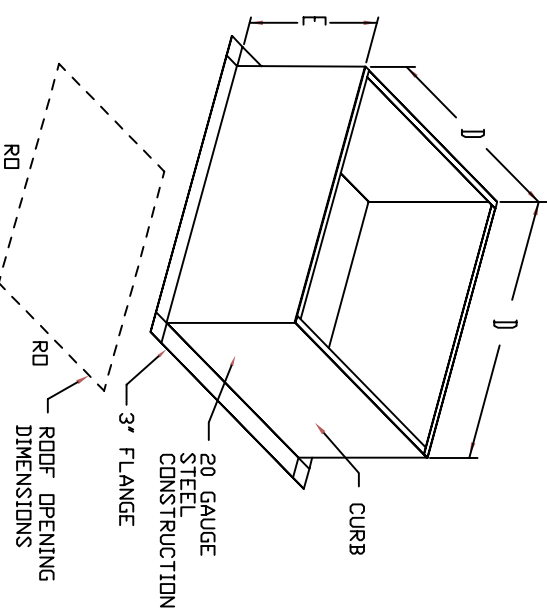


- FEATURES:
- ROOF/WALL MOUNTED FANS
 - STANDARD BIRD SCREEN

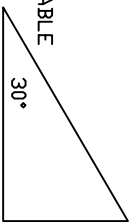
- OPTIONS:
- MOTORIZED BACKDRAFT DAMPER
 - BACKDRAFT DAMPER (EXHAUST ONLY)
 - HINGED FAN
 - PITCHED CURB
 - INSULATED CURB

BACKDRAFT DAMPER INSTALLATION

BACKDRAFT DAMPER

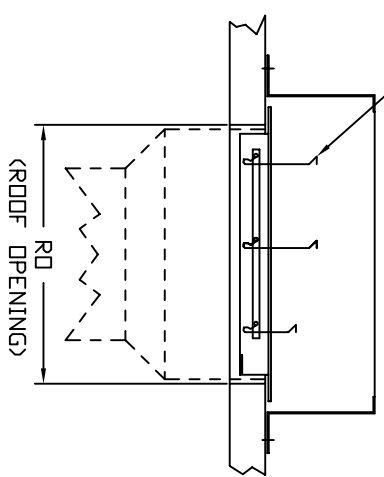


PITCHED CURBS ARE AVAILABLE FOR PITCHED ROOFS. SPECIFY PITCH. EXAMPLE: 7/12 PITCH = 30° SLOPE



GVS NON-MOTORIZED SQUARE GRAVITY UNITS DIMENSIONAL DATA

MODEL	HT	W	B	C	R	RD	WEIGHT LB
GVS1113	15 3/8	23 1/4	2	21	16	18	9 1/2
GVS15	15 3/8	27	2	24 3/4	20	22	13
GVS1820	15 3/8	30 1/4	2	28	23	25	14
GVS24	15 3/8	35 1/4	2	33	28	30	15
GVS30	15 3/8	42 1/4	2	40	35	37	17
GVS36	15 3/8	46 1/4	2	44	39	41	23



CURB DIMENSIONAL DATA

MODEL	D	E
GVS1113	19 1/2	12
GVS15	23	12
GVS1820	26 1/2	12
GVS24	31 1/2	12
GVS30	38 1/2	12
GVS36	42 1/2	12