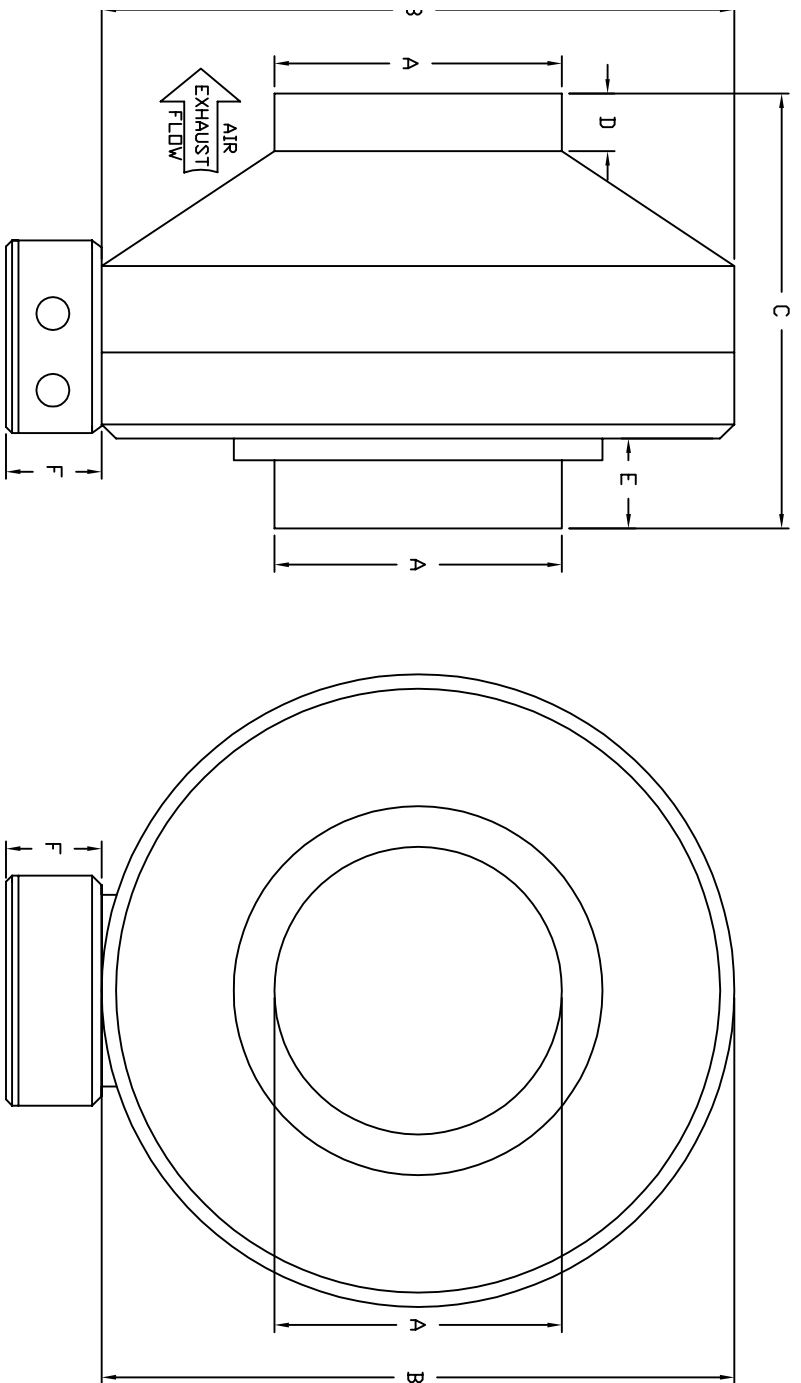


DFFA SERIES INLINE DUCT VENTILATION



**DFFA INLINE DUCT
INLINE DUCT VENTILATION DIMENSIONAL DATA**

FAN MODEL	A (in.)	B	C	D	E	F	WEIGHT LB
DFFA100	3.9	9.5	8.2	1.0	1.0	2.0	7.5
DFFA125	4.9	9.5	8.2	1.0	1.0	2.0	8.4
DFFA150	5.9	11.2	8.0	1.0	1.0	2.0	7.9
DFFA200	7.9	13.5	8.5	1.0	1.0	2.0	11.2
DFFA250	9.8	13.5	8.5	1.1	1.1	2.0	10.8
DFFA300	11.8	16.2	11.7	1.0	1.2	2.0	17.0

FEATURES:

- 20 GA. GALVANIZED STEEL HOUSING
- STANDARD 4" - 12" ROUND DUCT CONNECTIONS
- EASILY ACCESSIBLE J-BOX
- UL LISTED
- EXTREMELY QUIET OPERATION

OPTIONS:

- VARIABLE SPEED CONTROL
- TIME DELAY SWITCH
- ROOF/WALL CAPS