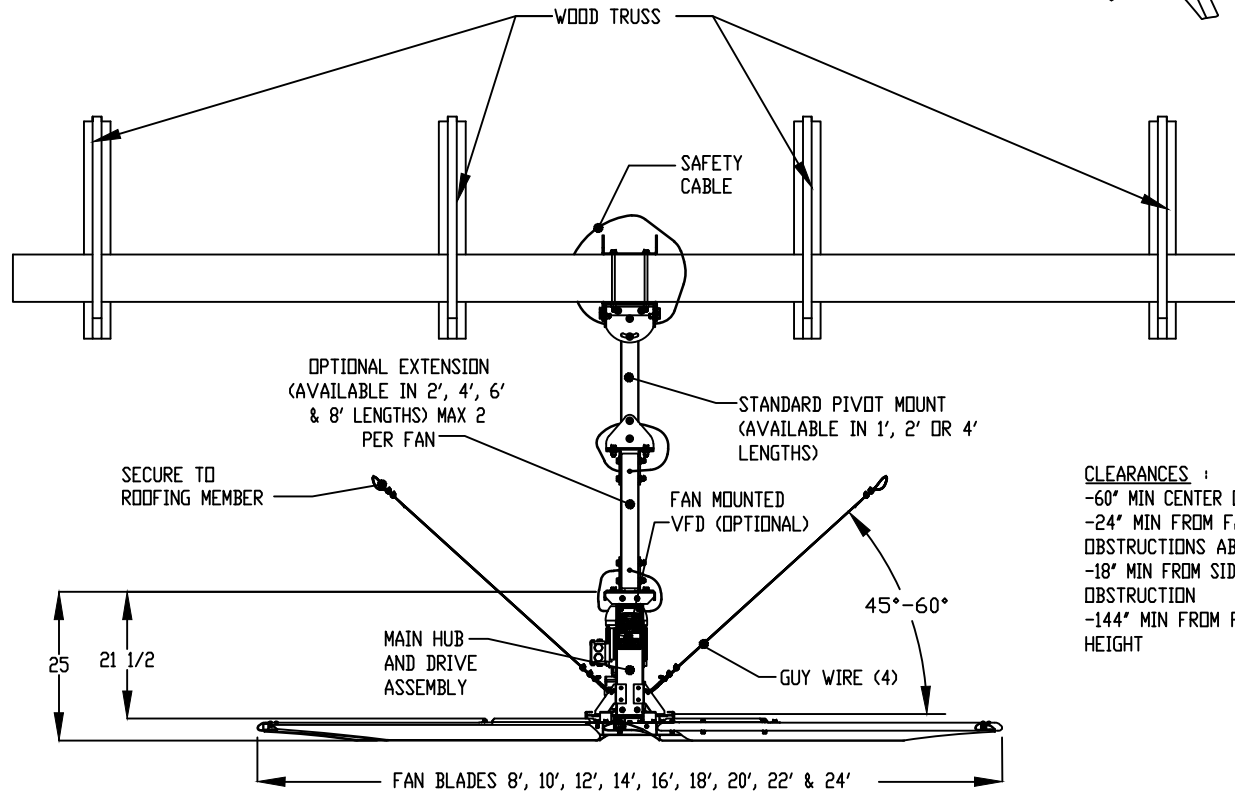
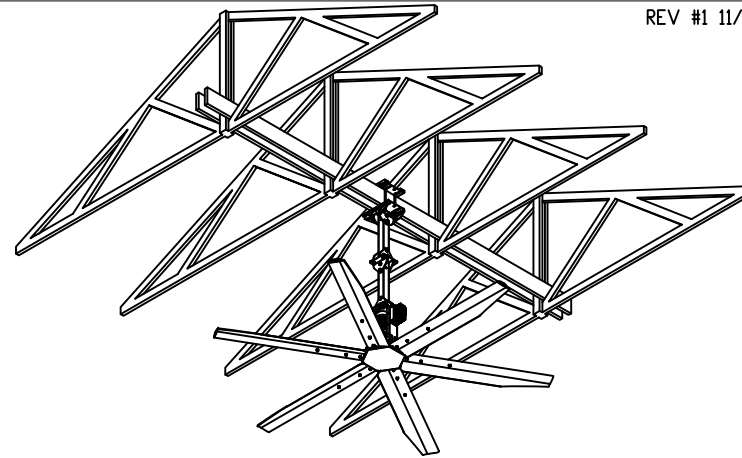


HVLS - HIGH VOLUME LOW SPEED FAN : WOOD TRUSS MOUNT

REV #1 11/6/23



- CLEARANCES :**
- 60" MIN CENTER OF FAN TO ROOF DECK
 - 24" MIN FROM FAN BLADE'S LEADING EDGE TO OBSTRUCTIONS ABOVE OR BELOW
 - 18" MIN FROM SIDE OF FAN TO ANY OBSTRUCTION
 - 144" MIN FROM FLOOR TO FAN LEADING EDGE HEIGHT