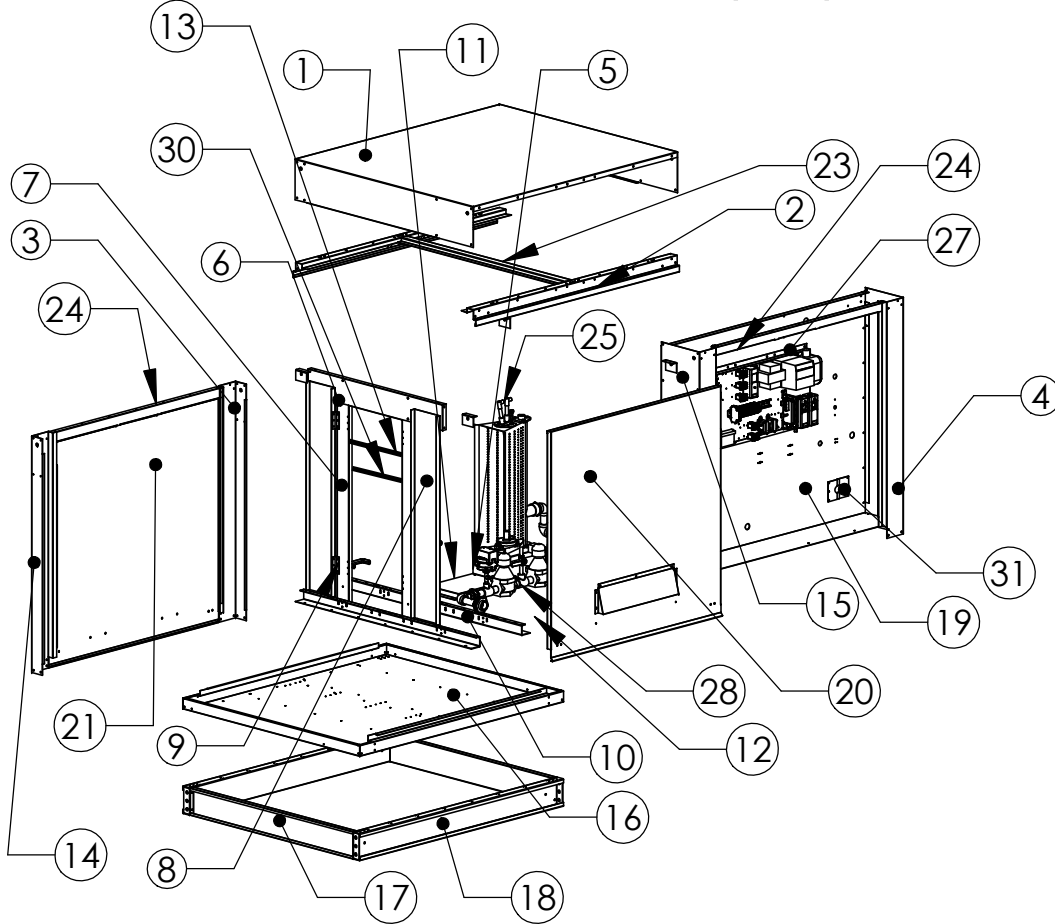


Direct Fired
Exploded
View

6/5/2015

DF Modular Heater 1 / 2 / 3



#	Description	Revised by	ECN#	Date
1	Updated Parts Information	AJK	2142	9/15/10
2	Add Top Profile Plates	AJK	2241	3/11/11
3	Correct Size 5 Part Information	AJK	2281	5/26/11
4	Add Door Handles	JJH	2594	2/27/13
5	Added MCONWAS and Notes	JJH	2643	8/2/13
6	Add Cabinet Seals	JJH	2700	2/5/14
7	Seperated Size 4,5 Vbank Exploded View	JJH	2789	6/4/15

NOTES:

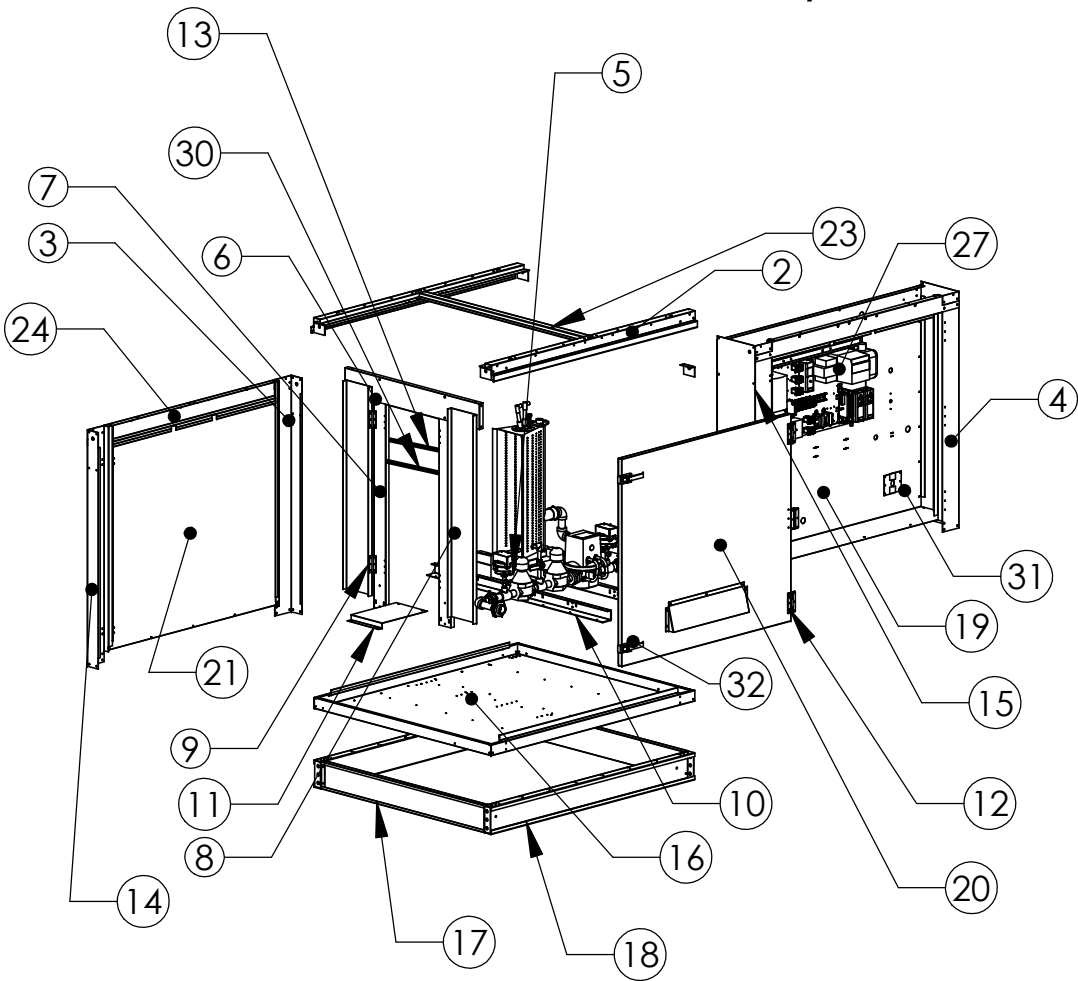
- Item 13 is used on the size 1 heater with a 6 inch burner, the size 2 heater with a 6 inch burner, and the size 3 heater with a 12 inch burner.
- Bottom Liner part number is D*LINA.
- Rotary Disconnect RRDJ number is D*RRDJRD.
- Item 30 is used on size 2 heaters with 6 and 12 inch burners when CFMs are below 2500. Item 30 is placed directly below item 13 on size 2 heaters with 6 inch burners. Item 30 is used by itself on size 2 heaters with 12 inch burners below 2500 cfm.
- On units where a downstream module will block the normal viewport location, the viewport should be moved to the heater Left Rear Post, part # D#LRDJ. This includes units with shipped loose DX coil modules.
- Install a MCONWAS at every lifting point. If the MCONWAS doesn't fit, intall the next largest washer that will fit.

Direct-Fired Part Information.

Item #	Description Of Part	DF-1	#	DF-2	#	DF-3	#
1	Lid	D1LIDD	1	D2LIDD	1	D3LIDD	1
2	Drip Rail	MD13DR	2	MD13DR	2	MD13DR	2
3	Left Front Post	D1LTFP	1	D2LTFP	1	D3LTFP	1
4	Right Front Post	D1RTFP	1	D2RTFP	1	D3RTFP	1
5	Burner Support	MDBSUP	1	MDBSUP	1	MDBSUP	1
6	Top Profile Plate	D1BTTP	1	D2BTTP	1	D3BTTP	1
7	Profile Plate Post	D1PPPT	2	D2PPPT	2	D3PPPT	2
8	Adjustable Plate	D1APPP	2	D2APPP	2	D3APPP	2
9	Profile Plate Spring	531944-0104	4	STS1643035	6	STS1643035	8
10	Horizontal Support	M1HSUP	2	M2HSUP	2	M3HSUP	2
11	Heat Shield	MDFRSD	1	MDFRSD	1	MDFRSD	1
12	Door Hook	MD13DRHK	2	MD13DRHK	2	MD13DRHK	2
13	Top Profile Blank****	D16TTP	1	D26TTP	1	D32TTP	1
14	Left Rear Post	D1LRDJNV	1	D2LRDJNV	1	D3LRDJNV	1
15	Right Rear Post	D1RRDJ	1	D2RRDJ	1	D3RRDJ	1
16	Bottom	D1BOTT	1	D2BOTT	1	D3BOTT	1
17	End Flashing	M1EFLS	2	M2EFLS	2	M3EFLS	2
18	Main Rail	MD12MR	2	MD12MR	2	MD3MR	2
19	Electric Cabinet Back	D1ECBK	1	D2ECBK	1	D3ECBK	1
20	Door With Louvers	D1DOORL	1	D2DOORL	1	D3DOORL	1
21	Door	D1DOOR	1	D2DOOR	1	D3DOOR	1
Not Shown	Lifting Lugs	MLIFTL	4	MLIFTL	4	MLIFTL	4
Not Shown	Lifting Lug Washer	MCONWAS	4	MCONWAS	4	MCONWAS	4
23	Lid Support	N/A	0	N/A	0	N/A	0
24	Door Support	MD13DRSP	2	MD13DRSP	2	MD13DRSP	2
25	Flame Rod	1190870	1	1190870	1	1190870	1
26	Burner Length	6-12 inches	1	12-18 inches	1	18-24 inches	1
27	Electric Board	MDEBRD	1	MDEBRD	1	MDEBRD	1
28	Gas Train	N/A	1	N/A	1	N/A	1
29	Louver Cover	MD15LCOVER	1	MD15LCOVER	1	MD15LCOVER	1
30	Low CFM top Profile Blank***	N/A	0	D2TPFLOW	1	N/A	0
31	Cabinet Seal	MD1CABSEAL	2	MD23CABSEAL	2	MD23CABSEAL	2
Not Shown	Door Handle	P-50-1010	1	P-50-1010	1	P-50-1010	1

***NOTE
 MD4-24CABSEAL - Used on DF-4 with 24" Burner
 MD4-30CABSEAL - Used on DF-4 with 30" Burner

DF Modular Heater 4/5



#	Description	Revised by	ECN#	Date
1	Created for Hinged Doors	JJH	2789	6/4/15

- NOTES:
- Item 13 is used on the size 1 heater with a 6 inch burner, the size 2 heater with a 6 inch burner, and the size 3 heater with a 12 inch burner.
 - Bottom Liner part number is D*LINA.
 - Rotary Disconnect RRDJ number is D*RRDJRD.
 - Item 30 is used on size 2 heaters with 6 and 12 inch burners when CFMs are below 2500. Item 30 is placed directly below item 13 on size 2 heaters with 6 inch burners. Item 30 is used by itself on size 2 heaters with 12 inch burners below 2500 cfm.
 - On units where a downstream module will block the normal viewport location, the viewport should be moved to the heater Left Rear Post, part # D#LRDJ. This includes units with shipped loose DX coil modules.
 - Install a MCONWAS at every lifting point. If the MCONWAS doesn't fit, install the next largest washer that will fit.

Direct-Fired Part Information.					
Item #	Description Of Part	DF-4	#	DF-5	#
1	Lid	D4LIDD	1	D5LIDD	1
2	Drip Rail	MD45DR	2	MD45DR	2
3	Left Front Post	D4LTFPH	1	D5LTFPH	1
4	Right Front Post	D4RTFPH	1	D5RTFPH	1
5	Burner Support	MDBSUP	1	MDBSUP	1
6	Top Profile Plate	D4BTTP	1	D5BTTP	1
7	Profile Plate Post	D4PPPT	2	D5PPPT	2
8	Adjustable Plate	D4APPP	2	D5APPP	2
9	Profile Plate Spring	H2013-A	4	H2013-A	4
10	Horizontal Support	M4HSUP	2	M5HSUP	2
11	Heat Shield	MDFRSD	1	MDFRSD	2
12	Door Hinges	HG-OTA100	3	HG-OTA100	3
13	Top Profile Blank****	N/A	N/A	N/A	N/A
14	Left Rear Post	D4LRDJNVH	1	D5LRDJNVH	1
15	Right Rear Post	D4RRDJH	1	D5RRDJH	1
16	Bottom	D4BOTTH	1	D5BOTTH	1
17	End Flashing	M4EFLS	2	M5EFLS	2
18	Main Rail	MD45MR	2	MD45MR	2
19	Electric Cabinet Back	D4ECBK	1	D5ECBK	1
20	Control Door With Louvers	D4DOORLH	1	D5DOORLH	1
21	Back Door	D4DOORH	1	D5DOORH	1
Not Shown	Control Door Liner	D4DOORLLH	1	D5DOORLLH	1
Not Shown	Back Door Liner	D4DOORHLH	1	D5DOORHLH	1
Not Shown	Lifting Lugs	MLIFTL	4	MLIFTL	4
Not Shown	Lifting Lug Washer	MCONWAS	4	MCONWAS	4
23	Lid Support	M4LSUP	2	M5LSUP	2
24	Door Support	D4TDSP	2	D5TDSP	2
25	Flame Rod	1190870	1	1190870	1
26	Burner Length	24-30 inches	1	48-60 inches	1
27	Electric Board	MDEBRD	1	MDEBRD	1
28	Gas Train	N/A	1	N/A	1
29	Louver Cover	MD15LCOVER	1	MD15LCOVER	1
30	Low CFM top Profile Blank***	N/A	0	N/A	0
31	Cabinet Seal	***NOTE	2	MD5CABSEAL	2
32	Door Handles	A7-10-351-20	2	A7-10-351-20	2

***NOTE
 MD4-24CABSEAL - Used on DF-4 with 24" Burner
 MD4-30CABSEAL - Used on DF-4 with 30" Burner