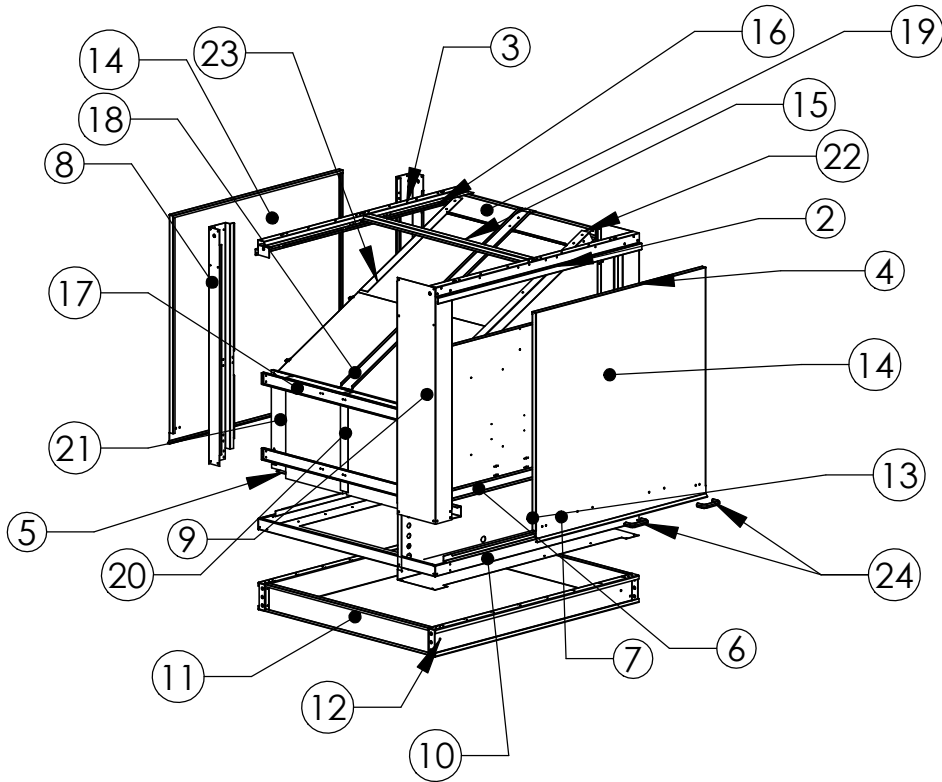


Direct Fired  
Exploded  
View

6/5/2015

# Filtered Mixing Box Module 1 / 2 / 3



Revision History				
#	Description	Revised by	ECN#	Date
1	Created Document	AJK	---	4/11/12
2	Added Note 1	DDH	2549	10/11/12
3	Added Door Handles	JJH	2594	2/27/13
4	Added Note 3 for Insulation	JJH	2640	7/22/13
5	Added MCONWAS and Note	JJH	2643	8/2/13
6	Separated Size 4,5 Exploded Views	JJH	2789	6/5/15

## NOTES:

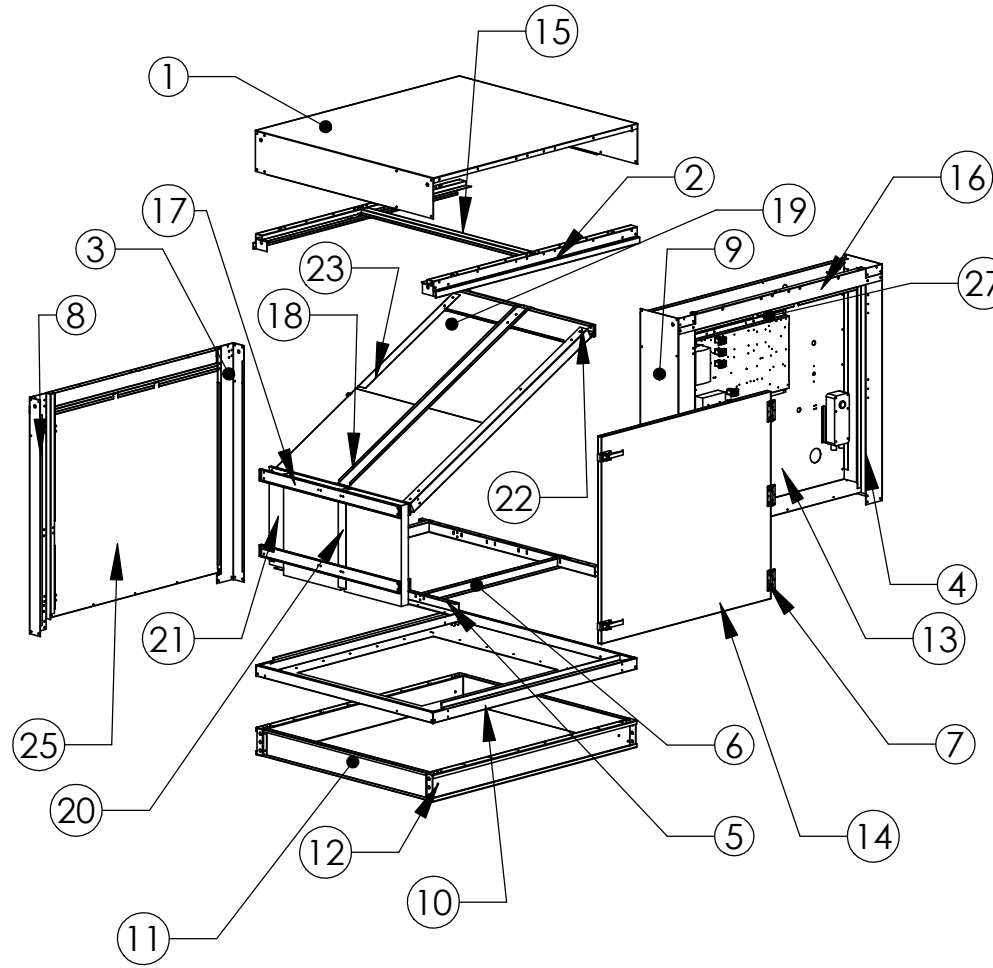
- 1) Dampers should be oriented so that the default position is with the outside air damper open.
- 2) Check all units for correct filter fit and ship with filters installed.
- 3) Insulate the electrical cabinet back, lid, and bottom on all mixing boxes. The electrical cabinet back should be insulated on the front side with the linkage and actuator. NOTE: Ensure that the insulation doesn't interfere with the linkage, actuator, and operation of the mixing box.
- 4) Install a MCONWAS at every lifting point. If the MCONWAS doesn't fit, install the next largest washer that will fit.

Filter Sizes and Quantities				
Module Size	Vertical Filter Size	Qty	Diagonal Filter Size	Qty
1	10x16x2	1	10x16x2	4
2	16x25x2	1	20x25x2	2
3	15x15x2	2	15x20x2	4
4	16x20x2	2	18x25x2	4
5	14.5x19x2	3	14.5x19x2	9

Mixing Box Part Information.							
Item #	Description Of Part	DF-1	#	DF-2	#	DF-3	#
Not Shown	Lid	D1LIDD	1	D2LIDD	1	D3LIDD	1
2	Drip Rail	MD13DR	2	MD13DR	2	MD13DR	2
3	Left Front Post	MB1LTFP	1	MB2LTFP	1	MB3LTFP	1
4	Right Front Post	D1RTFP	1	D2RTFP	1	D3RTFP	1
5	Horizontal Support	M1HSUP	2	M2HSUP	2	M3HSUP	2
6	Damper Cap	MB1CAP	2	MB2CAP	2	MB3CAP	2
7	Door Hook	MD13DRHK	2	MD13DRHK	2	MD13DRHK	2
8	Left Rear Post	MB1LRDJ	1	MB2LRDJ	1	MB3LRDJ	1
9	Right Rear Post	EH1RRDJ	1	EH2RRDJ	1	EH3RRDJ	1
10	Bottom	MB1BOTT	1	MB2BOTT	1	MB3BOTT	1
11	End Flashing	M1EFLS	2	M2EFLS	2	M3EFLS	2
12	Main Rail	MD12MR	2	MD12MR	2	MD3MR	2
13	Electric Cabinet Back	D1ECBK	1	D2ECBK	1	D3ECBK	1
14	Door	D1DOOR	2	D2DOOR	2	D3DOOR	2
Not Shown	Lifting Lugs	MLIFTL	4	MLIFTL	4	MLIFTL	4
Not Shown	Lifting Lug Washer	MCONWAS	4	MCONWAS	4	MCONWAS	4
15	Lid Support	N/A	0	N/A	0	N/A	0
16	Door Support	MD13DRSP	2	MD13DRSP	2	MD13DRSP	2
17	Cross Brace	MB1CSBR	4	MB2CSBR	4	MB3CSBR	6
18	Top Slide	N/A	0	N/A	0	MB3TPSL	1
19	Top Blank	N/A	0	N/A	0	MB3TBLK	1
20	Filter Blank	N/A	0	N/A	0	MB3FTBK	1
21	Filter Spacer	MB1FTSP	1	MB2FTSP	1	MB3FTSP	1
22	Filter Rail	MB1FTRL	1	MB2FTRL	1	MB3FTRL	1
23	Door Side Rail	MB1DSRL	1	MB2DSRL	1	MB3DSRL	1
24	Door Handle	P-50-1010	1	P-50-1010	1	P-50-1010	1
Not Shown	Bottom Slide	N/A	0	N/A	0	MB3BTSL	1
Not Shown	Bottom Blank	N/A	0	N/A	0	MB3BBLK	1

# Filtered Mixing Box Module 4 / 5

Revision History				
#	Description	Revised by	ECN#	Date
1	Created For Hinged Doors	JJH	2789	6/5/15



## NOTES:

- 1) Dampers should be oriented so that the default position is with the outside air damper open.
- 2) Check all units for correct filter fit and ship with filters installed.
- 3) Insulate the electrical cabinet back, lid, and bottom on all mixing boxes. The electrical cabinet back should be insulated on the front side with the linkage and actuator. NOTE: Ensure that the insulation doesn't interfere with the linkage, actuator, and operation of the mixing box.
- 4) Install a MCONWAS at every lifting point. If the MCONWAS doesn't fit, install the next largest washer that will fit.

Filter Sizes and Quantities				
Module Size	Vertical Filter Size	Qty	Diagonal Filter Size	Qty
1	10x16x2	1	10x16x2	4
2	16x25x2	1	20x25x2	2
3	15x15x2	2	15x20x2	4
4	16x20x2	2	18x25x2	4
5	14.5x19x2	3	14.5x19x2	9

Mixing Box Part Information.					
Item #	Description Of Part	DF-4	#	DF-5	#
1	Lid	D4LIDD	1	D5LIDD	1
2	Drip Rail	MD45DR	2	MD45DR	2
3	Left Front Post	MB4LTFPH	1	MB5LTFPH	1
4	Right Front Post	D4RTFPH	1	D5RTFPH	1
5	Horizontal Support	M4HSUP	2	M5HSUP	2
6	Damper Cap	MB4CAP	2	MB5CAP	2
7	Door Hinges	HG-OTA100	3	HG-OTA100	3
8	Left Rear Post	MB4LRDJH	1	MB5LRDJH	1
9	Right Rear Post	EH4RRDJH	1	EH5RRDJH	1
10	Bottom	MB4BOTTH	1	MB5BOTTH	1
11	End Flashing	M4EFLS	2	M5EFLS	2
12	Main Rail	D45TDSP	2	D45TDSP	2
13	Electric Cabinet Back	D4ECBK	1	D5ECBK	1
14	Control Door	MB4DOORH	1	MB5DOORH	1
Not Shown	Control Door Liner	D4DOORHLH	2	D5DOORHLH	2
Not Shown	Lifting Lugs	MLIFTL	4	MLIFTL	4
Not Shown	Lifting Lug Washer	MCONWAS	4	MCONWAS	4
15	Lid Support	M4LSUP	2	M5LSUP	2
16	Door Support	MD45DRSP	2	MD45DRSP	2
17	Cross Brace	MB4CSBR	5	MB5CSBR	5
18	Top Slide	MB4TPSL	1	MB5TPSL	2
19	Top Blank	MB4TBLK	1	N/A	0
20	Filter Blank	MB4FTBK	2	MB5FTBK	2
21	Filter Spacer	MB4FTSP	1	MB5FTSP	1
22	Filter Rail	MB4FTRL	1	MB5FTRL	1
23	Door Side Rail	MB4DSRL	1	MB5DSRL	1
24	Door Handles	A7-10-351-20	2	A7-10-351-20	2
25	Back Door	D4DOORH	1	D5DOORH	1
Not Shown	Bottom Slide	MB4BTSL	1	MB5BTSL	2
Not Shown	Bottom Blank	MB3BBLK	1	N/A	0