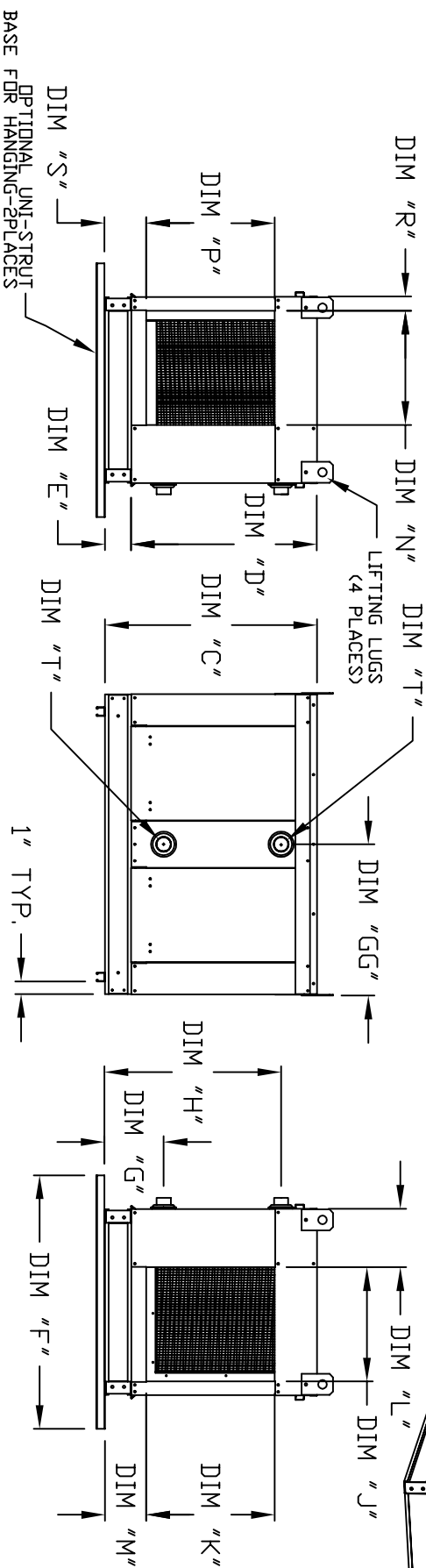
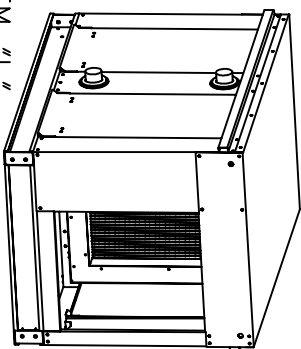
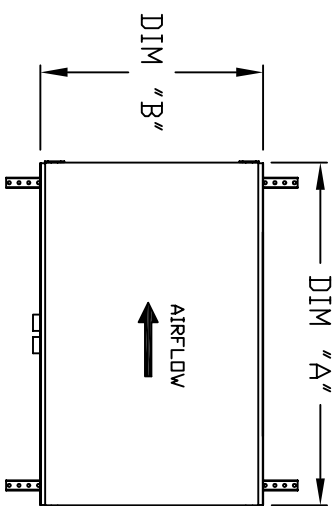


STEAM COIL MODULE

SCM  
REV A5 8/04/201



ALL DIMENSIONS ARE NOMINAL AND GIVEN IN INCHES.

MODEL	WEIGHT	UNIT DIMENSIONS													INTAKE OPENING					DISCHARGE OPENING				
		A	B	C	D	E	F	G	GG	H	J	K	L	M	P	N	R	S						
SCM1	160 LBS	42-1/8	27-3/8	29-3/4	26-1/16	3-3/4	36	8-3/4	21-1/16	16-15/16	16	18	8-1/8	5-3/4	16	18	1-15/16	5-3/4						
SCM2	220 LBS	42-1/8	37-3/8	36-3/4	33-1/16	3-3/4	48	8-3/4	21-1/16	18-3/8	22-3/4	24	8-1/8	5-3/4	24	24	5-3/16	5-3/4						
SCM3	255 LBS	42-1/8	41-3/8	43-3/8	38-1/16	5-1/4	60	10-1/4	21-1/16	23-5/8	30	30	8-1/8	7-1/2	30	30	1-15/16	7-1/2						
SCM4	410 LBS	54-3/16	48-7/16	51-3/8	46-1/8	5-1/4	60	10-1/4	27-3/32	28-5/8	34	36	10-3/16	7-1/2	34	36	2-15/16	7-1/2						
SCM5	520 LBS	54-3/16	59-3/16	58-3/8	53-1/8	5-1/4	72	10-1/4	27-3/32	31-3/4	43	43	10-3/16	7-1/2	43	43	4-11/16	7-1/2						

UNIT INFORMATION:

MODEL	TOTAL CAPACITY (MBH)	PIPE CONNECTION	STEAM PSI
SCM1	176.49	2-1/2 (MPT)	5
SCM2	328.19	2-1/2	5
SCM3	505.64	2-1/2	5
SCM4	812.24	2-1/2	5
SCM5	1234.45	2-1/2	5