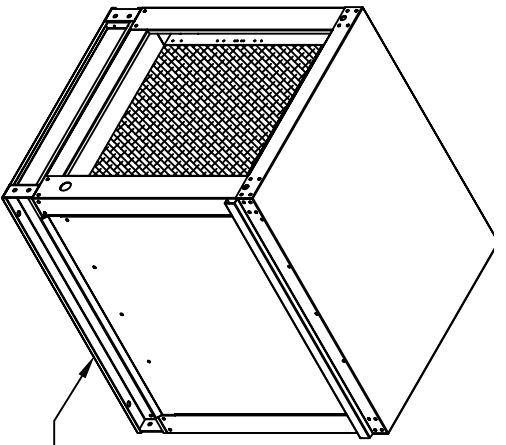
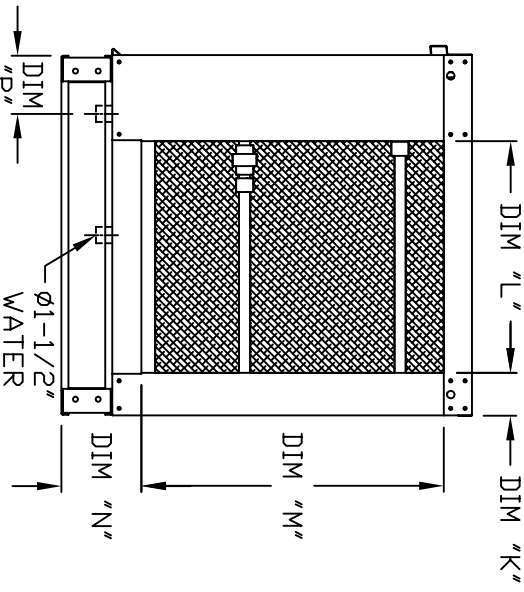
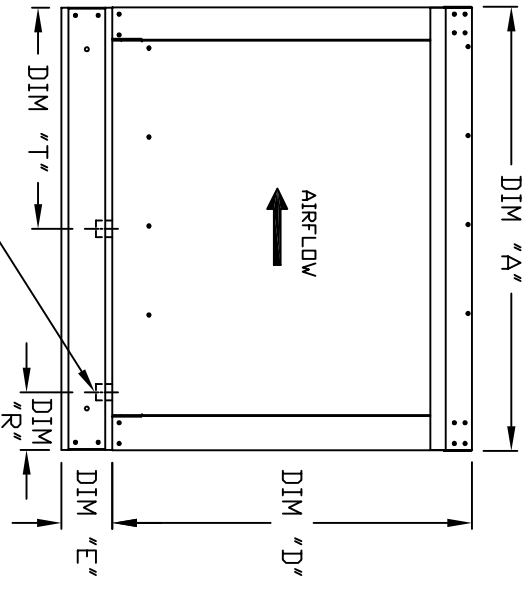
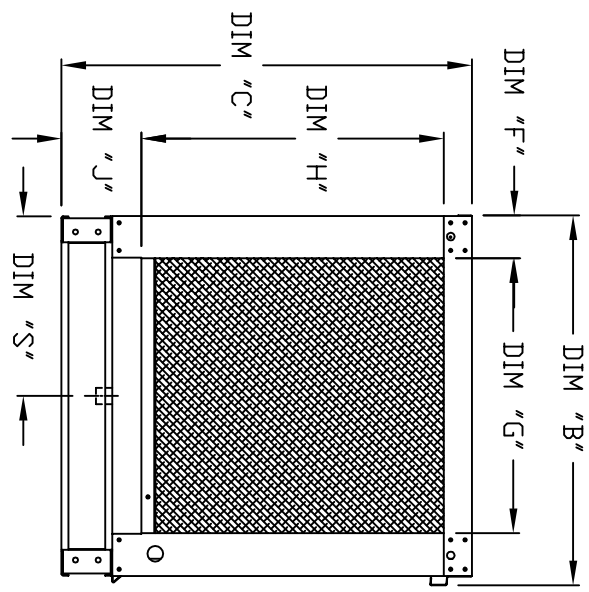


NOTE:  
1.) MAX. WATER PRESSURE  
50 PSI @ 70 DEG. F



MAIN RAILS INCLUDED  
ON MODULAR UNITS ONLY



MODEL	WEIGHT	A	B	C	D	E	F	G	H	I	J	K	L	M	N	P	R	S	T
CDI-01	135 LBS	32-1/8	26-3/4	29-3/4	26	3-3/4	3-1/8	19-7/8	21-7/8	5-3/4	3-1/8	16-3/4	21-7/8	5-3/4	4-1/2	6-1/4	13	16	
CDI-02	175 LBS	32-1/8	36-3/4	36-3/4	33	3-3/4	5-1/8	27-7/8	28-7/8	5-3/4	5-1/8	24-3/4	28-7/8	5-3/4	4-1/2	6-1/4	18	16	
CDI-03	230 LBS	38-1/8	40-3/4	43-3/8	38-1/8	5-1/4	4-5/8	32-3/8	33-7/8	7-1/2	4-5/8	29-1/4	33-7/8	7-1/2	4-1/2	5-3/4	20	19	
CDI-04	300 LBS	35-1/4	47-7/8	51-3/8	46-1/8	5-1/4	4-5/8	39-3/8	41-7/8	7-1/2	4-5/8	36-1/4	41-7/8	7-1/2	4-1/2	5-3/4	23-1/2	17-1/2	
CDI-05	365 LBS	35-1/4	58-5/8	58-3/8	53-1/8	5-1/4	4-5/8	50-1/8	48-7/8	7-1/2	4-5/8	47	48-7/8	7-1/2	4-1/2	5-3/4	28-7/8	17-1/2	
CDI-06	500 LBS	35-1/4	74-7/8	58-3/8	53-1/8	5-1/4	4-5/8	66-3/8	48-7/8	7-1/2	4-5/8	63-1/4	48-7/8	7-1/2	4-1/2	5-3/4	37-1/2	17-1/2	

ALL DIMENSIONS ARE NOMINAL AND GIVEN IN INCHES.

UNIT INFORMATION

MODEL	MEDIA SIZE	NOZZLES	MAX. FLOW RATE
CDI-01	20"x24"x12"	12	3.9 GPH
CDI-02	25"x32"x12"	20	6.5 GPH
CDI-03	30"x36"x12"	28	8.4 GPH
CDI-04	38"x43"x12"	35	10.15 GPH
CDI-05	45"x54"x12"	42	12.6 GPH
CDI-06	45"x72"x12"	57	20.1 GPH