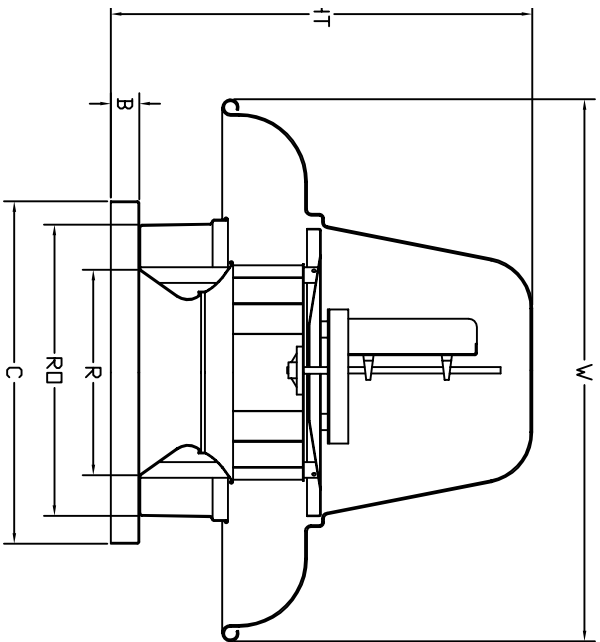


BDOR SERIES DOWNBLAST EXHAUST FANS

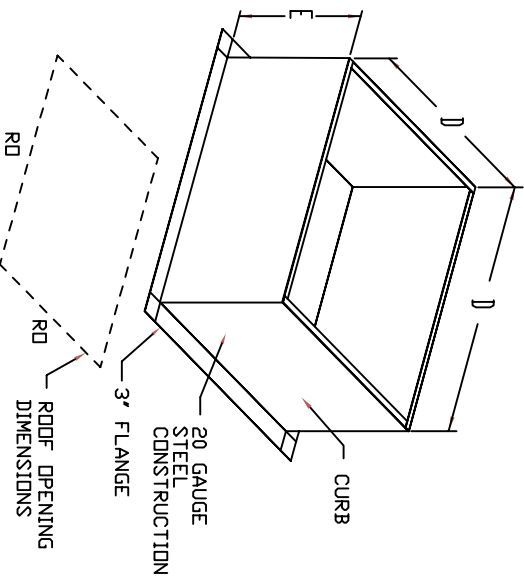
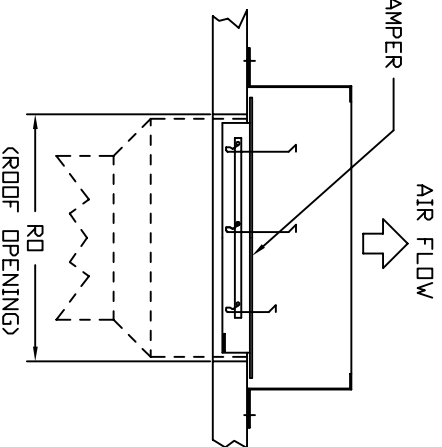


BDOR BELT DRIVE CENTRIFUGAL DOWNBLAST EXHAUST FANS DIMENSIONAL DATA

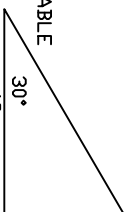
FAN MODEL	HT	W	B	C	R	RD	WEIGHT LB
BDOR7	25	26 1/4	2	21	12 1/8	16	90
BDOR8	25	26 1/4	2	21	12 1/8	16	90
BDOR9	25	26 1/4	2	21	12 1/8	16	90
BDOR11	25	26 1/4	2	21	12 1/8	16	105
BDOR13	26 3/4	29 5/8	2	21	13 1/4	16	105
BDOR15	30 5/8	33 1/4	2	24 3/4	14 7/8	20	130
BDOR18	32 3/4	38 15/16	2	28	16 1/2	24	190
BDOR20	32 1/4	38 15/16	2	28	18	24	195
BDOR24	37 1/4	43 7/16	2	33	23 7/8	28	215
BDOR30	40	52 13/16	2	40	24	36	380
BDOR36	45 9/16	63 5/16	2	44	25 1/4	40	470

- FEATURES:**
- ROOF MOUNTED FANS
 - UL 705
 - AMCA SOUND AND AIR CERTIFIED
 - WIRING FROM MOTOR TO DISCONNECT SWITCH
 - DISCONNECT SWITCH
 - STANDARD BIRD SCREEN
- OPTIONS:**
- HINGED FAN
 - PITCHED CURB
 - INSULATED CURB
 - BACKDRAFT DAMPER

BACKDRAFT DAMPER INSTALLATION



PITCHED CURBS ARE AVAILABLE FOR PITCHED ROOFS. SPECIFY PITCH. EXAMPLE: 7/12 PITCH = 30° SLOPE



CURB DIMENSIONAL DATA

FAN MODEL	D	E
BDOR7	19 1/2	12
BDOR8	19 1/2	12
BDOR9	19 1/2	12
BDOR11	19 1/2	12
BDOR13	19 1/2	12
BDOR15	23	12
BDOR18	26 1/2	12
BDOR20	26 1/2	12
BDOR24	31 1/2	12
BDOR30	38 1/2	12
BDOR36	42 1/2	12