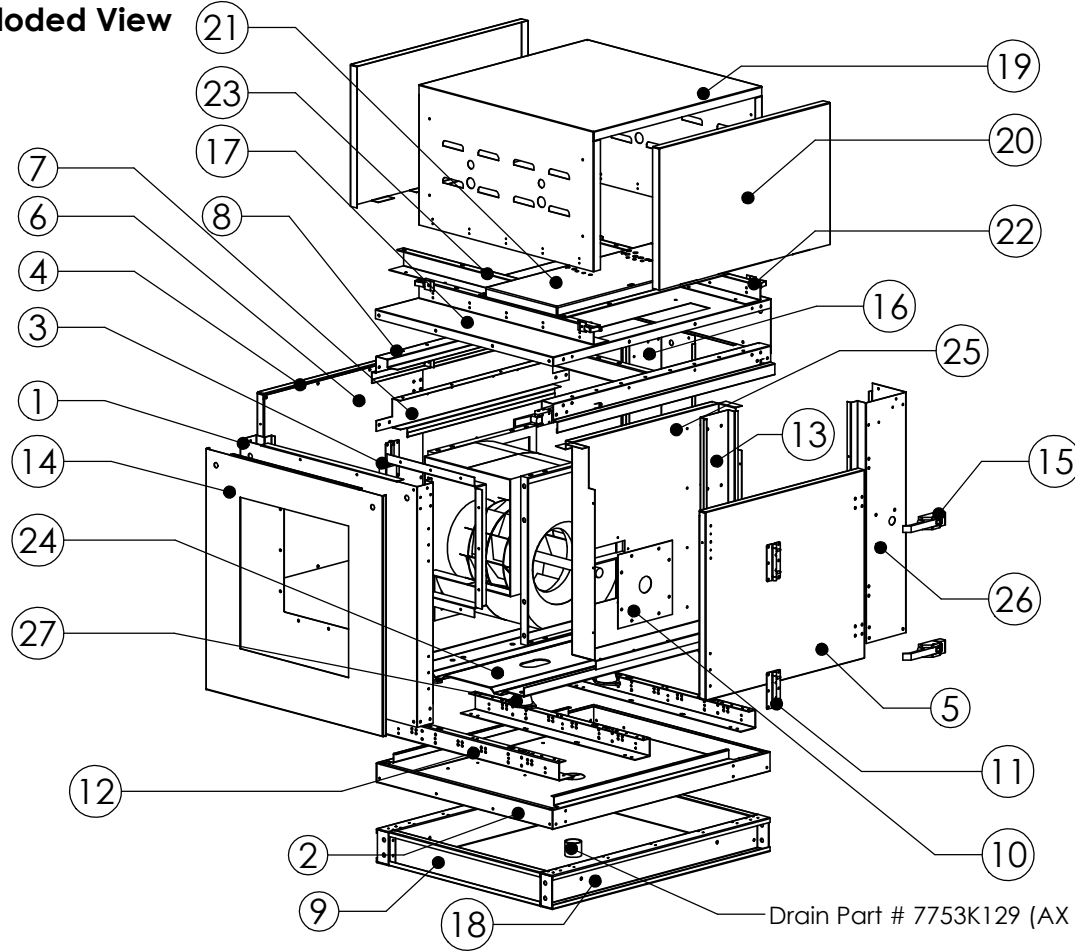


KB-INLINE Blower Exploded View



Drain Part # 7753K129 (AX # A0021396)

| Revision History | | | | |
|------------------|------------------------|------------|------|---------|
| # | Description | Revised by | ECN# | Date |
| 0 | Released to Production | NR | 2310 | 4/1/13 |
| 1 | Updated | NR | 2650 | 9/13/13 |
| 2 | Hinged Door | NR | 2835 | 9/29/15 |

NOTE:
High Temp Grommet is installed on ITEM No 23

| E*KBFP -INLINE | AX # | Part # |
|----------------|----------|-------------|
| 1 | A0023279 | 11626-02731 |
| 2 | A0023279 | 11626-02731 |
| 3 | A0023280 | 11626-02732 |
| 4 | A0023280 | 11626-02732 |
| 5 | A0023281 | 11626-02733 |

| # | Part Name | Quantity | 10 | 14 | 18 | 20 | 25 | |
|----|------------------------------|----------|---------------------|---------------------|---------------------|---------------------|---------------------|--|
| 1 | Back | 1 | B1KBEDS-INLINE | B2KBEDS-INLINE | B3KBEDS-INLINE | B4KBEDS-INLINE | B5KBEDS-INLINE | |
| 2 | Bottom | 1 | B1KBBOT-INLINE | B2KBBOT-INLINE | B3KBBOT-INLINE | B4KBBOT-INLINE | B5KBBOT-INLINE | |
| 3 | Blower Collar | 1 | B1KBBLCL | B2KBBLCL | B3KBBLCL | B4KBBLCL | B5KBBLCL | |
| 4 | Door-Back | Varies | B1KBBDR-V2(1) | B1KBBDR-V2(1) | B1KBBDR-V2(1) | B1KBBDR-V2(1) | B1KBBDR-V2(2) | |
| 5 | Door-Front | Varies | B1KFDR-V2 (1) | B2KFDR-V2 (1) | B3KFDR-V2 (1) | B4KFDR-V2 (1) | B5KFDR-V2 (2) | |
| 6 | Door Liner | Varies | B1KBLINER (2) | B2KBLINER (2) | B3KBLINER (2) | B4KBLINER (2) | B5KBLINER/B5KBLINER | |
| 7 | Door Support | 2 | B1KBDSP-V2 | B2KBDSP-V2 | B3KBDSP-V2 | B4KBDSP-V2 | B1KBDSP-V2 | |
| 8 | Drip Rail | 1 | B1KBDPRL-INLINE | B2KBDPRL-INLINE | B3KBDPRL-INLINE | B4KBDPRL-INLINE | B5KBDPRL-INLINE | |
| 9 | End Flashing | 2 | M1EFLS | M2EFLS | M3EFLS | M4EFLS | M5EFLS | |
| 10 | Face Plate | 1 | B1KBFP-INLINE | B2KBFP-INLINE | B3KBFP-INLINE | B4KBFP-INLINE | B5KBFP-INLINE | |
| 11 | Hinge | Varies | HG-OTA100 (4) | HG-OTA100 (4) | HG-OTA100 (4) | HG-OTA100 (6) | HG-OTA100 (6) | |
| 12 | Horizontal Support | Varies | M1HSUP(3) | M2HSUP(3) | M3HSUP(3) | M4HSUP(4) | M5HSUP(4) | |
| 13 | Horizontal/Vertical Hat Chnl | Varies | B1KB*HT-INLINE (1) | B2KB*HT-INLINE (2) | B3KB*HT-INLINE (2) | B4KB*HT-INLINE (2) | B5KB*HT-INLINE (2) | |
| 14 | Inlet/Outlet Transition | Varies | E1KBINOUTPLT-INLINE | E2KBINOUTPLT-INLINE | E3KBINOUTPLT-INLINE | E4KBINOUTPLT-INLINE | E5KBINOUTPLT-INLINE | |
| 15 | Latch | 4 | 173SST | | | | | |
| 16 | Left Front Post | 1 | B1KBLFP-INLINE | B2KBLFP-INLINE | B3KBLFP-INLINE | B4KBLFP-INLINE | B5KBLFP-INLINE | |
| 17 | Lid | 1 | B1KBLID-INLINE | B2KBLID-INLINE | B3KBLID-INLINE | B4KBLID-INLINE | B5KBLID-INLINE | |
| 18 | Main Rail | 2 | B1MNRL | B2MNRL | B3MNRL | B4MNRL | B5MNRL | |
| 19 | Motor Lid | 1 | B1KBMTCV-INLINE | B2KBMTCV-INLINE | B3KBMTCV-INLINE | B4KBMTCV-INLINE | B5KBMTCV-INLINE | |
| 20 | Motor Side Cover | 2 | B1KBPMC-INLINE | B2KBPMC-INLINE | B3KBPMC-INLINE | B4KBPMC-INLINE | B5KBPMC-INLINE | |
| 21 | Motor Plate | 1 | B1KBMBP-INLINE | B2KBMBP-INLINE | B3KBMBP-INLINE | B4KBMBP-INLINE | B5KBMBP-INLINE | |
| 22 | Motor Horizontal Support | 2 | B1KBHSUP-INLINE | B2KBHSUP-INLINE | B3KBHSUP-INLINE | B4KBHSUP-INLINE | B5KBHSUP-INLINE | |
| 23 | Motor Ctr Horizontal Support | 2 | B1KBHCTRSUP-INLINE | B2KBHCTRSUP-INLINE | B3KBHCTRSUP-INLINE | B4KBHCTRSUP-INLINE | B5KBHCTRSUP-INLINE | |
| 24 | Motor/Blower Platform | 1 | B1KBMBP | B2KBMBP | B3KBMBP | B4KBMBP | B5KBMBP | |
| 25 | Pulley Enclosure | 1 | B1KBPE-INLINE | B2KBPE-INLINE | B3KBPE-INLINE | B4KBPE-INLINE | B5KBPE-INLINE | |
| 26 | Right Front Post | 1 | B1KBRFP-INLINE | B2KBRFP-INLINE | B3KBRFP-INLINE | B4KBRFP-INLINE | B5KBRFP-INLINE | |
| 27 | Vibration Isolator | Varies | T44-5A (6) | T44-5A (6) | T44-5A (6) | T44-5A (8) | T44-5A (10) | |

NOTES:
 1) KB25-INLINE models have a 3 piece bottom. B5KBSID-INLINE and B5KBSIDB-INLINE attaches to the sides of the KB25-INLINE bottom (B5KBBOT-INLINE)
 2) KB25-INLINE models use Qty-2 doors on each side. B5KBFDR-V2 and B5KBBDR-V2.
 3) KB25-INLINE models have a front and back drip rail design. B5KBDPRL-INLINE and B5KBDPRLB-INLINE.
 2) All model use 4 of MLIFTL lifting lugs.
 3) Disconnect switch is dependent on motor load.
 4) Use R-10480-S-1/4" BY 1" (AX # A0022006) on B#KBEDS-INLINE, B#KBRFP-INLINE, B#KBDSP-V2 and B#KBBOT-INLINE.
 5) KB 10, 14 and 18 use Qty-2 Hinges (HGOTA-100) per door. KB 20, 25 use Qty-3 Hinges (HG-OTA-100) per door.