

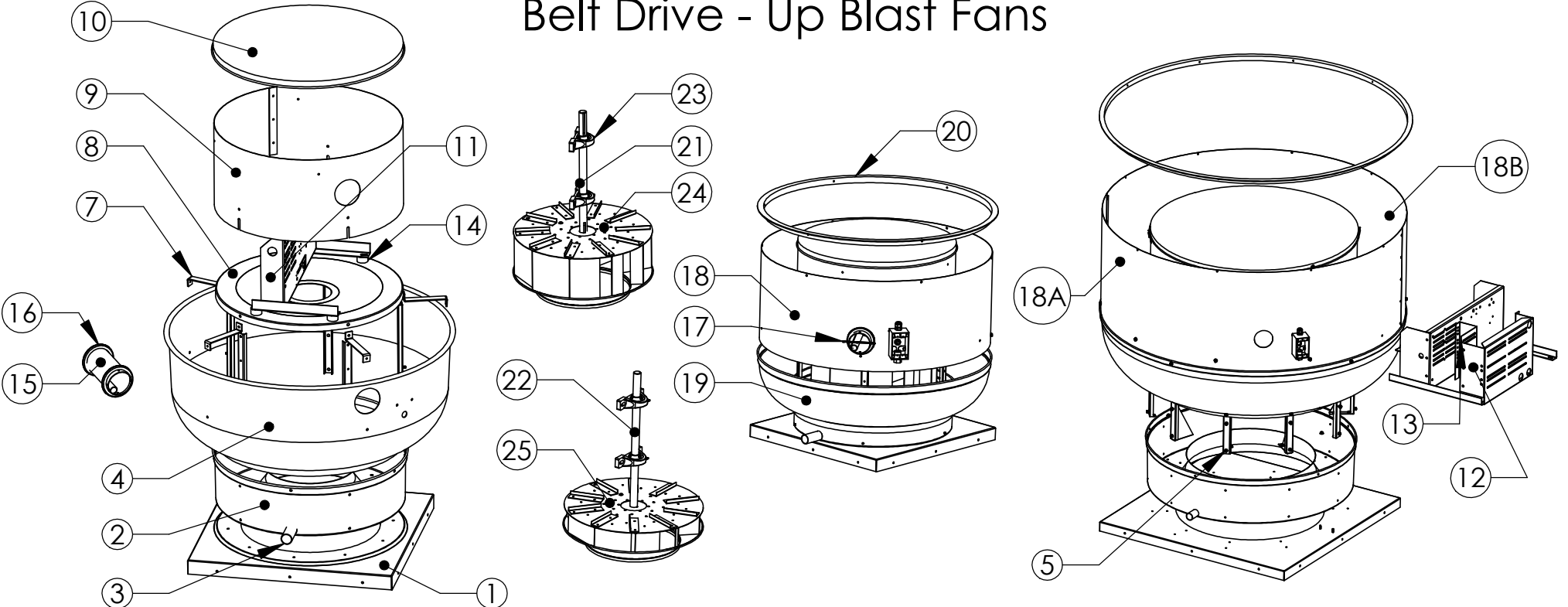
EXPLODED

VIEWS

UPBLAST

12/02/2015

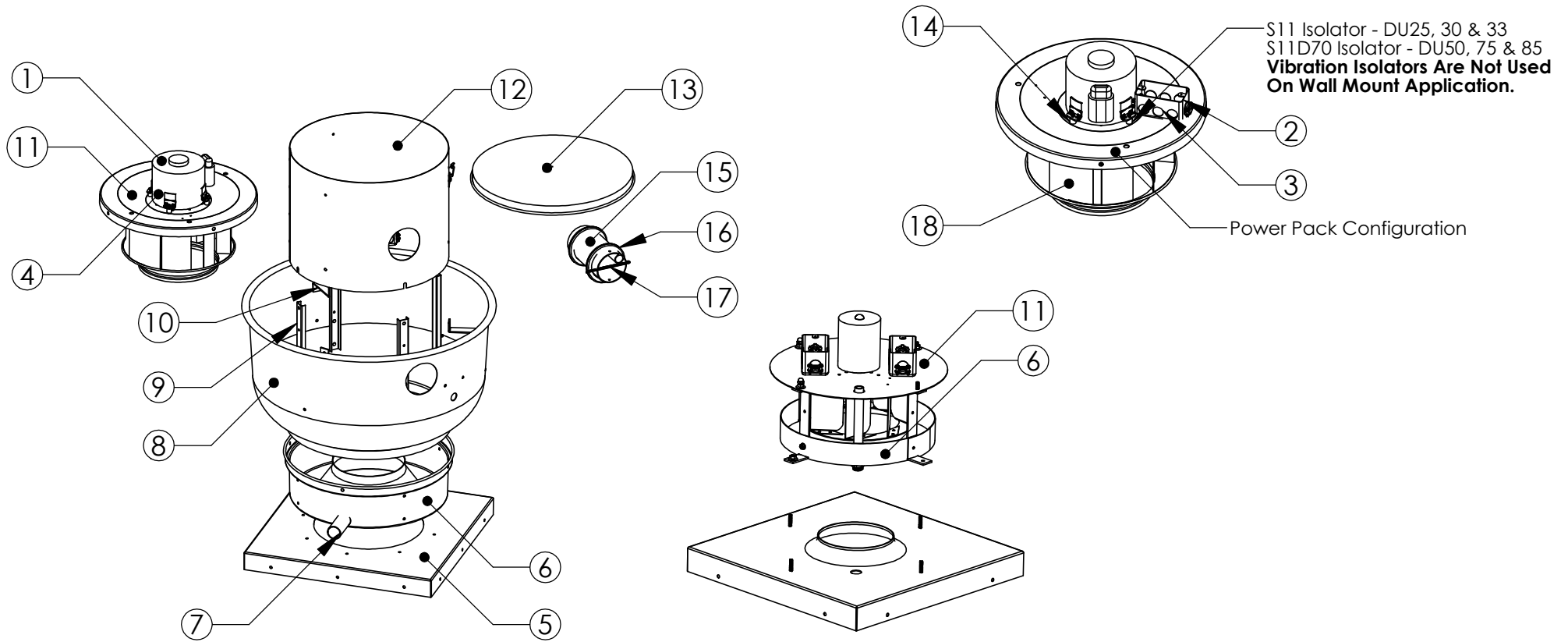
# Belt Drive - Up Blast Fans



The adapter plates and supports are used on standard applications and motors where larger motors require them per the BOM.

Belt Drive - Up Blast Fan - Part Information.																	
Item #	Description Of Parts	11	#	13	#	15 - 15HP	#	18 - 18HP	#	20 - 20HP	#	24 - 24HP	#	30 - 30HP	#	36 - 36HP	#
1	Base Assembly	F8040011-S	1	F8040013-S	1	F8040015-S	1	F8040018-S	1	F8040020-S	1	F8040024-S	1	F8040030	1	F8040036	1
2	Baffle	F5020011	1	F5020013	1	F5020015	1	F5020018	1	F5020020	1	F5020024	1	F5020030	1	F5020036	1
3	Drain	F2100016	1	F2100017	1	F2100016	1	F2100016	1	F2100016	1	F2100016	1	F2100017	1	F2100017	1
4	Apron	F5060011	1	F5060013	1	F5060015	1	F5060018	1					N/A			
5	Vertical Brace Assembly	F8030011-P	4	F8030013-P	4	F8030015-P	4	F8030018-P	5	F8030018-P	5	F8030024-P	5	F8030030-P	10	F8030036-M	10
6	Vertical Brace Gusset Support									N/A							
7	Horizontal Brace	F2030011-S	3	F2030013-S	3	F2030015-S	4	F2030018-S	5	F2030018-S	5	F2030024-S	5	F2030030-S	5	F2030036-S	10
8	Top Plate	F5040011-S	1	F5040013-S	1	F5040015-S	1	F5040018-S	1	F5040018-S	1	F5040024-S	1	F5040030	1	F5040036	1
9	Shaft Wrapper	F2050011-S	1	F2050013-S	1	F2050015-S	1	F2050018-S	1	F2050018-S	1	F2050024-S	1	F2050030-S	1	F2050036-S	1
10	Pan Hood / Motor Cover	F5150011-S	1	F5150013-S	1	F5150015-S	1	F5150018-S	1	F5150018-S	1	F5150024-S	1	F5150030-S	1	F5150036-S	1
11	Motor Plate Weldment	F8020011	1	F8020013	1	F8020015	1	F8020018	1	F8020018	1	F8020024	1	F8020030	1	F8020036	1
12	Motor Plate Adapter	N/A		F2100008	1	F2100008	1	F2100018	1	F2100018	1	F2100007	1	F2100007	1	F2100036	1
13	Adapter Support Plate			N/A		N/A						F2100007S	1	F2100007S	1	F2100007S	1
14	Vibration Isolator	800113-D40	4	800113-D40	4	800113-D40	4	800113-D40	4	800113-D40	4	800113	7	800113	7	800113	9
15	Cooling Tube	F2140015	1	F2140015	1	F2140015	1	F2140018	1	F2140018	1	F2140018	1	F2140030	1	F2140036	1
16	Cooling Tube Grommet	F2100001	2	F2100001	2	F2100001	2	F2100001	2	F2100001	2	F2100001	2	F2100001	2	F2100001	2
17	Cotter Pin - Cooling Tube	800103	3	800103	3	800103	3	800103	3	800103	3	800103	3	800103	3	800103	3
18	Wind Band			N/A		N/A		N/A		F2160020-S	1	F2160024-S	1	F2160030-S	1	N/A	
18A	Wind Band 2 Piece Construction A							N/A								F2160036-SA	1
18B	Wind Band 2 Piece Construction B							N/A								F2160036-SB	1
19	Bottom Skirt			N/A		N/A				F5170020	1	F5170024	1	F5170030	1	F5170036	1
20	Wind Band Angle Ring			N/A		N/A				F2370020	1	F2370024	1	F2370030	1	F2370036	1
21	Standard Wheel Shaft	F2180011	1	F2180013	1	F2180015	1	F21800181	1	F21800181	1	F2180024	1	F2180030	1	F2180036	1
22	HP Wheel Shaft	F2180013	1	F2180015	1	F2180016	1	F21800191	1	F21800191	1	F2180025	1	F2180031	1	F2180037	1
23	Bearings	UCP204-12-AH-SP4	2	UCP204-12-AH-SP4	2	UCP204-12-AH-SP4	2	UCP205-16-AH-SP4	2	UCP205-16-AH-SP4	2	UCP206-19-AH-SP4	2	UCP206-19-AH-SP5	2	UCP206-19-AH-SP5	2
24	Standard Wheel Assembly	F8010011	1	F8010013	1	F8010015	1	F8010018	1	F8010020	1	F8010024	1	F8010030	1	F8010036	1
25	HP Wheel Assembly	F8010012	1	F8010014BDHP	1	F8010016	1	F8010019	1	F8010021	1	F8010025	1	F8010031	1	F8010037	1

# Direct Drive - Up Blast Fans



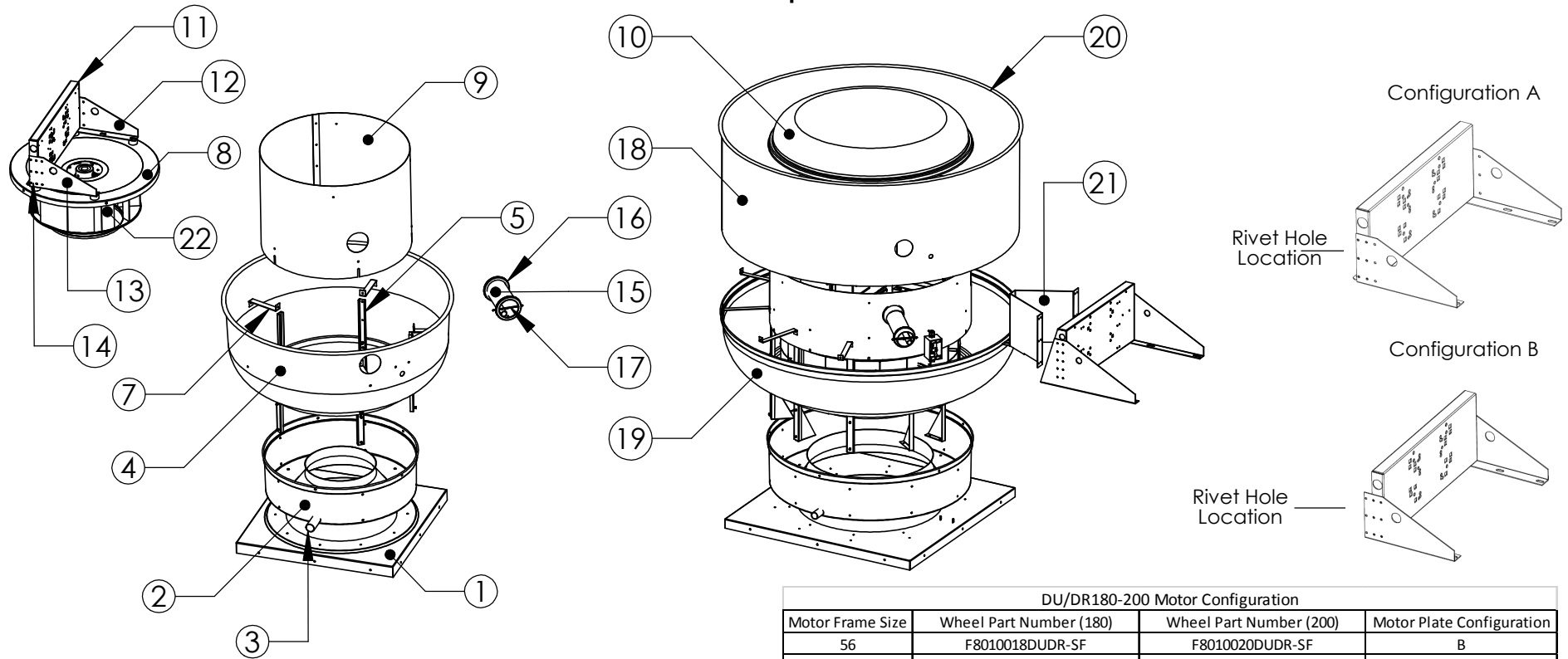
Direct Drive - Motor - Part Information.

Item #	Description Of Parts	DU10	#	DU12	#	DU25	#	DU30	#	DU33	#	DU50	#	DU75	#	DU85	#	
1	Motor Single Phase	8550	1	8550A	1	6312R	1	6245R	1	6310R	1	6311R	1	6241R	1	6251R2	1	
2	Speed Control	KBWC-16K	1	KBWC-16K	1	KBWC-16K	1	KBWC-16K	1	KBWC-16K	1	KBWC-110K	1	KBWC-115K	1	KBWC-115K	1	
3	Wire Harness	810040E	1	810040E	1	810040D	1	810040D	1	810040D	1	810040D	1	810040D	1	810040D	1	
4	Motor Three Phase (VFD Only)	N/A									6315	1	6317	1	N/A		6319R	1

Direct Drive - Up Blast Fan - Part Information.

Item #	Description Of Parts	DU10	#	DU12	#	DU25	#	DU30	#	DU33	#	DU50	#	DU75	#	DU85	#
5	Base Assembly	F8041508-S	1	F8041516-S	1	F8040011-S	1	F8040011-S	1	F8040011-S	1	F8040013-S	1	F8040015-S	1	F8040015-S	1
6	Baffle	F2021508	1	N/A		F5020011	1	F5020011	1	F5020011	1	F5020013	1	F5020015	1	F5020015	1
7	Drain	N/A		F2100016	1	F2100016	1	F2100016	1	F2100016	1	F2100017	1	F2100016	1	F2100016	1
8	Apron	F5061508	1	F5061516	1	F5060011	1	F5060011	1	F5060011	1	F5060013	1	F5060015	1	F5060015	1
9	Vertical Brace Assembly	F8031508-S	4	F8031516-S	4	F8030011-P	4	F8030011-P	4	F8030011-P	4	F8030013-P	5	F8030015-P	5	F8030015-P	5
10	Horizontal Brace	N/A			F2030011-S		3	F2030011-S	3	F2030011-S	3	F2030013-S	3	F2030015-S	4	F2030015-S	4
11	Top Plate	F2041508-S	1	F5041516-S	1	F5040011-S	1	F5040011-S	1	F5040011-S	1	F5040013-S	1	F5040015-S	1	F5040015-S	1
12	Shaft Wrapper	N/A		F2051516-S	1	F2050011-S	1	F2050011-S	1	F2050011-S	1	F2050013-S	1	F2050015-S	1	F2050015-S	1
13	Pan Hood / Motor Cover	F5151508-S	1	F5151516-S	1	F5150011-S	1	F5150011-S	1	F5150011-S	1	F5150013-S	1	F5150015-S	1	F5150015-S	1
14	Vibration Isolator (not used on wall mount)	N/A			S11		4	S11	4	S11	4	S11D70	4	S11D70	4	S11D70	4
15	Cooling Tube	N/A		F2140014	1	F2140015	1	F2140015	1	F2140015	1	F2140015	1	F2140015	1	F2140015	1
16	Cooling Tube Grommet	N/A		F2100001	2	F2100001	2	F2100001	2	F2100001	2	F2100001	2	F2100001	2	F2100001	2
17	Cotter Pin - Cooling Tube	N/A		800103	3	800103	3	800103	3	800103	3	800103	3	800103	3	800103	3
18	Standard Wheel Assembly	F8011508	1	F8011516	1	F8010010	1	F8010010	1	F8010010	1	F8010014	1	F8010017	1	F8010017	1
19	Bird Screen UL705 Only	F2361508	1	N/A													

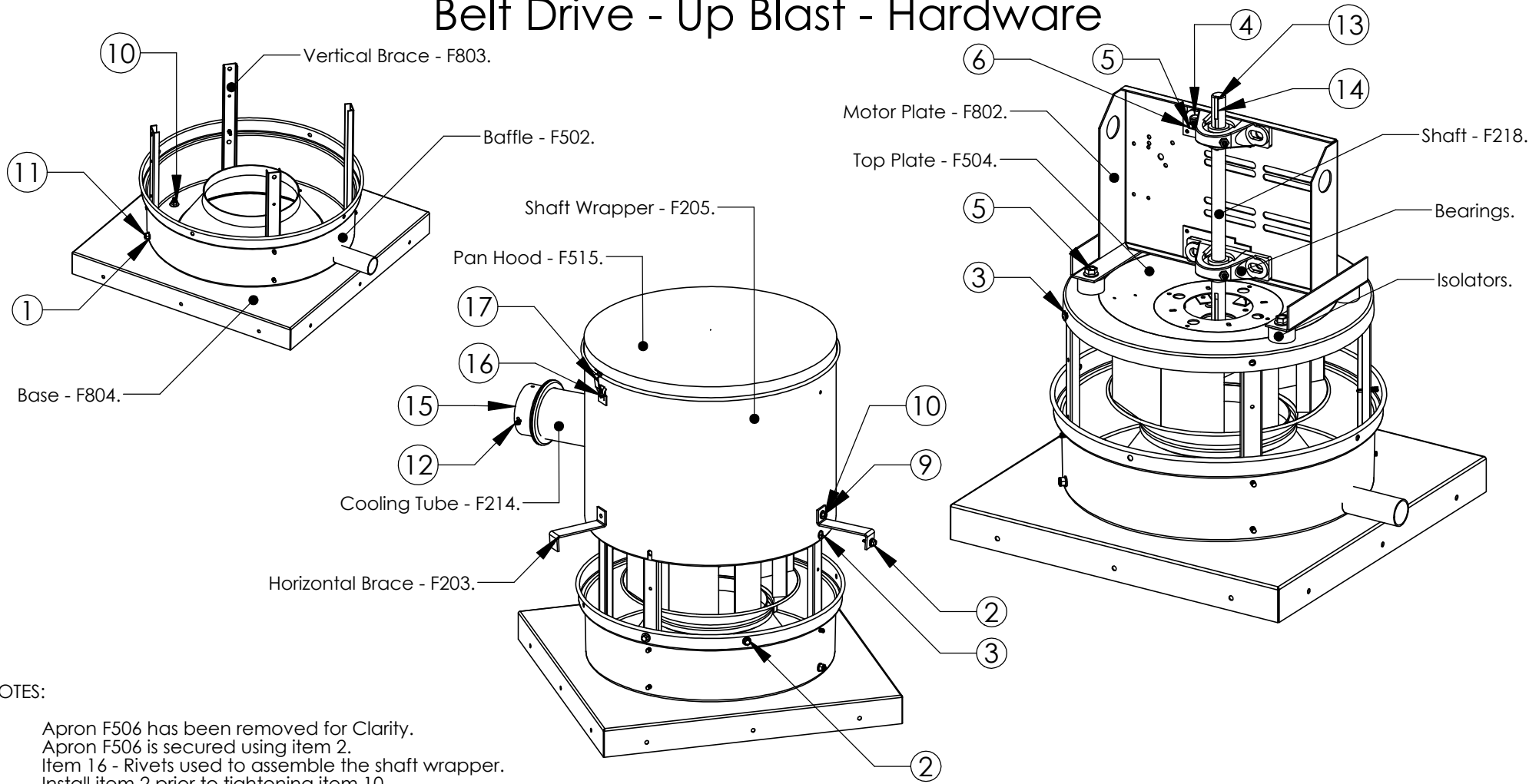
# Direct Drive - Up Blast Fans



DU/DR180-200 Motor Configuration			
Motor Frame Size	Wheel Part Number (180)	Wheel Part Number (200)	Motor Plate Configuration
56	F8010018DUDR-SF	F8010020DUDR-SF	B
145T	F8010018DUDR-SF	F8010020DUDR-SF	B
182T	F8010018DUDR	F8010020CASREDD	A

Direct Drive - Up Blast Fan - Part Information.											*Used with smaller framed motors.	
Item #	Description Of Parts	DU180	#	DU200	#	DU240	#	DU300	#	DU360	#	
1	Base Assembly	F8040018-S	1	F8040020-S	1	F8040024-S	1	F8040030	1	F8040036	1	
2	Baffle	F5020018	1	F5020020	1	F5020024	1	F5020030	1	F5020036	1	
3	Drain	F2100016	1	F2100016	1	F2100016	1	F2100017	1	F2100017	1	
4	Apron	F5060018	1	N/A								
5	Vertical Brace Assembly	F8030018-P	5	F8030018-P	5	F8030024-P	5	F8030030-P	10	F8030036-M	10	
6	Vertical Brace Gusset Support	N/A										
7	Horizontal Brace	F2030018-S	5	F2030018-S	5	F2030024-S	5	F2030030-S	5	F2030036-S	10	
8	Top Plate	F5040018-S	1	F5040018-S	1	F5040024-S	1	F5040030	1	F5040036	1	
9	Shaft Wrapper	F2050018-S	1	F2050018-S	1	F2050024-S	1	F2050030-S	1	F2050036-S	1	
10	Pan Hood / Motor Cover	F5150018-S	1	F5150018-S	1	F5150024-S	1	F5150030-S	1	F5150036-S	1	
11	Motor Plate	F2090018DD	1	F2090020DD	1	F2090024DD	1	F2090030DD	1	F2090036DD	1	
12	Motor Plate Angle Right	F2080018DDR	1	F2080018DDR	1	F2080024DDR	1	F2080036DDR	1	F2080036DDR	1	
13	Motor Plate Angle Left	F2080018DDL	1	F2080018DDL	1	F2080024DDL	1	F2080036DDL	1	F2080036DDL	1	
14	Vibration Isolator	800113-D40	4	800113-D40	4	800113	7	800113	7	800113	7	
15	Cooling Tube	F2140018	1	F2140018	1	F2140018	1	F2140030	1	F2140036	1	
16	Cooling Tube Grommet	F2100001	2	F2100001	2	F2100001	2	F2100001	2	F2100001	2	
17	Cotter Pin - Cooling Tube	800103	3	800103	3	800103	3	800103	3	800103	3	
18	Wind Band	N/A		F2160020-S	1	F2160024-S	1	F2160030-S	1	N/A		
18A	Wind Band 2 Piece Construction A			N/A						F2160036-SA	1	
18B	Wind Band 2 Piece Construction B			N/A						F2160036-SB	1	
19	Bottom Skirt	N/A		F5170020	1	F5170024	1	F5170030	1	F5170036	1	
20	Wind Band Angle Ring	N/A		F2370020	1	F2370024	1	F2370030	1	F2370036	1	
21	Motor Plate Support	N/A				F2090024DSDUP	1	F2090036DSDUP	1	F2090036DSDUP	1	
22	Wheel Assembly	F8010018DUDR-SF* / F8010018DUDR	1	F8010020DUDR-SF* / F8010020CASREDD	1	F8010024DUDR	1	F8010030DUDR	1	F8010036DUDR	1	

# Belt Drive - Up Blast - Hardware



## NOTES:

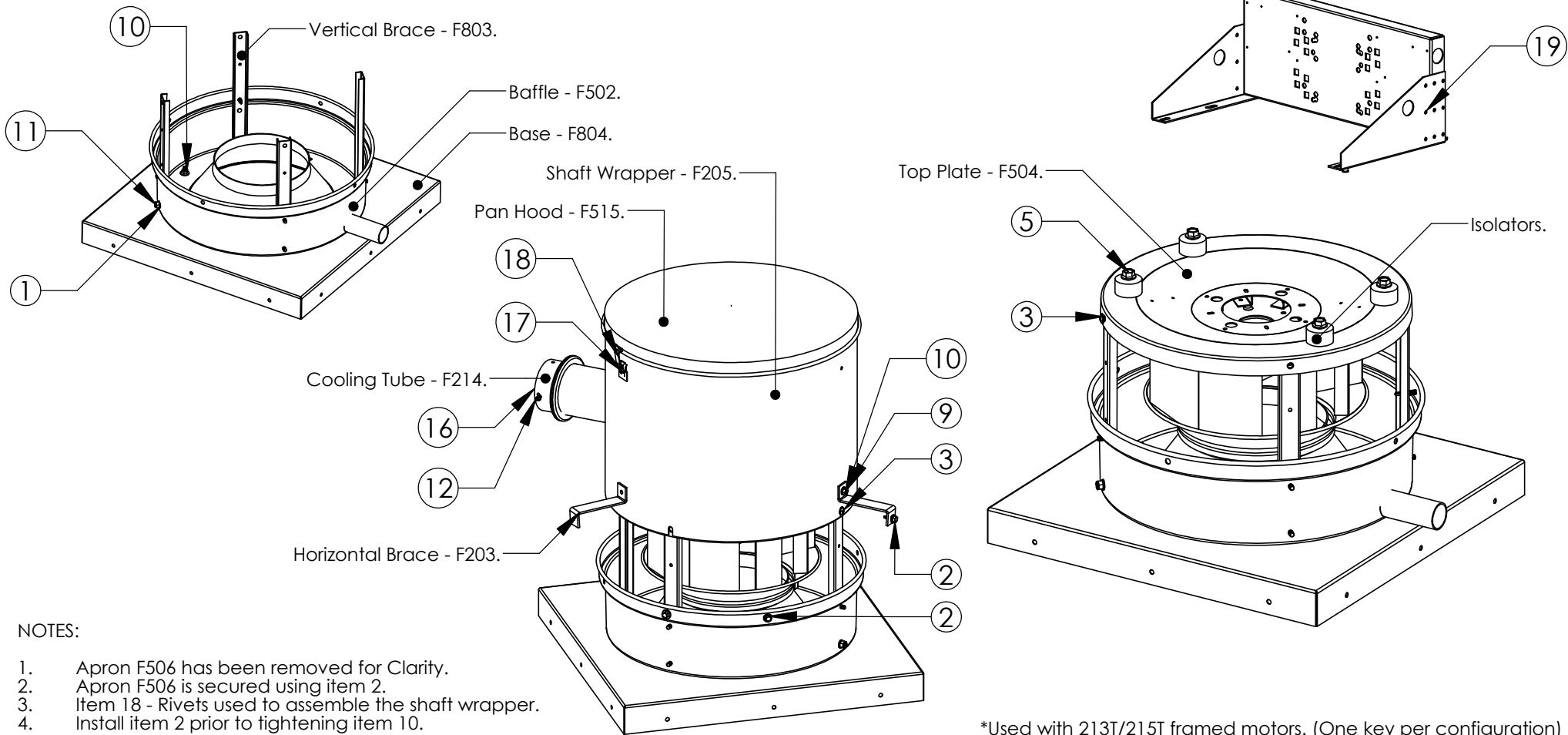
1. Apron F506 has been removed for Clarity.
2. Apron F506 is secured using item 2.
3. Item 16 - Rivets used to assemble the shaft wrapper.
4. Install item 2 prior to tightening item 10.

Hardware - Up Blast Fan Belt Drive - Part Information.

Item #	Description Of Parts	11	#	13	#	15 - 15HP	#	18 - 18HP	#	20 - 20HP	#	24 - 24HP	#	30 - 30HP	#	36 - 36HP	#	
1	White Nylon Washer	800014	8	800014	8	800014	8	800014	10	800014	10	800014	10	800014	20	800014	20	
2	1/4 - 14 x 1.25 Self Drilling / Rubber Washer	800023B	7	800023B	7	800023B	8	800023B	10	800023B	15	800023B	20	800023B	30	800023B	30	
3	1/4 - 20 x 5/8 Pan Head Whiz Screw	800026	4	800026	4	800026	4	800026	5	800026	5	800026	5	800026	10	800026	10	
4	3/8 - 16 x 1 1/2 Whiz Bolt Grade 5	N/A		800025	4	800025	4	800025	4	800025	4	800025	4	N/A				
4	1/2 - 13 x 1 1/2 Whiz Bolt Grade 5	N/A												A0005710	4	A0005710	4	
5	3/8 - 16 Whiz Nut	800032	12	800032	12	800032	12	800032	12	800032	12	800032	14	800032	14	800032	18	
5	1/2 - 13 Whiz Nut	N/A												A0005693	4	A0005693	4	
6	3/8 - 16 x 1 3/4 Carriage Bolt	800042	4	N/A														
7	5/16 - 18 x 1 1/2 Whiz Bolt Grade 5	800043	4	800043	4	800043	4	800043	4	800043	4	800043	4	800043	4	800043	4	
8	5/16 - 18 Whiz Nut	800033	4	800033	4	800033	4	800033	4	800033	4	800033	4	800033	4	800033	4	
9	1/4 - 20 x 3/4 Whiz Bolt Grade 5	800044	3	800044	3	800044	4	800044	5	800044	5	800044	5	800044	10	800044	10	
10	1/4 - 20 Whiz Nut	800034	15	800034	15	800034	16	800034	20	800034	20	800034	20	800034	30	800034	30	
11	1/4 - 20 Nylon Lock Nut	800031	8	800031	8	800031	8	800031	10	800031	10	800031	10	800031	20	800031	20	
12	Cotter Pin	800103	3	800103	3	800103	3	800103	3	800103	3	800103	3	800103	3	800103	3	
13	3/16 x 3/16 x 1 1/4 Key	800104	2	800104	2	800104	2	N/A										
14	1/4 x 1/4 x 2 1/4 Key	N/A							800108	2	800108	2	800108	2	800108	2	800108	2
15	Heyco Bushing	810068	2	810068	2	810068	2	810068	2	810068	2	810068	2	810068	2	810068	2	
16	3/16 Rivet	800070A	7	800070A	7	800070A	7	800070A	8	800070A	18	800070A	18	800070A	21	800070A	28	
17	Ludwig A - 17 Hood Clip	800107	3	800107	3	800107	3	800107	4	800107	4	800107	4	800107	4	800107	6	



# Direct Drive - Up Blast - Hardware



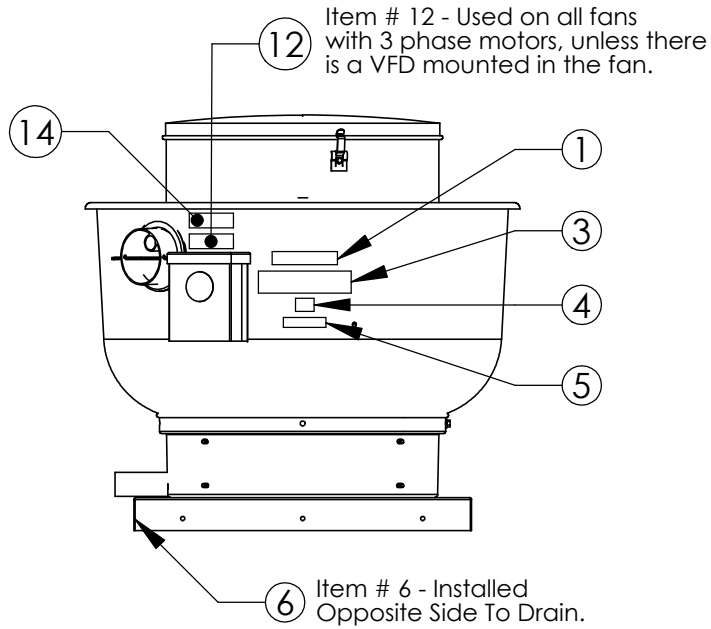
## NOTES:

1. Apron F506 has been removed for Clarity.
2. Apron F506 is secured using item 2.
3. Item 18 - Rivets used to assemble the shaft wrapper.
4. Install item 2 prior to tightening item 10.

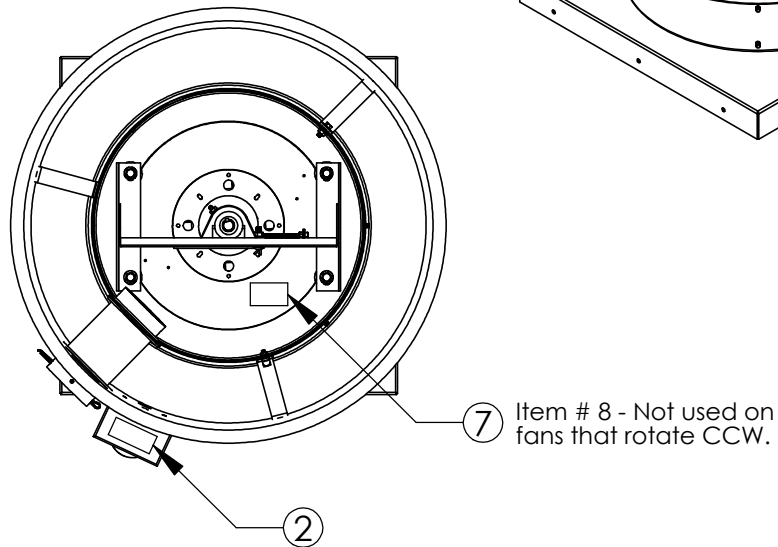
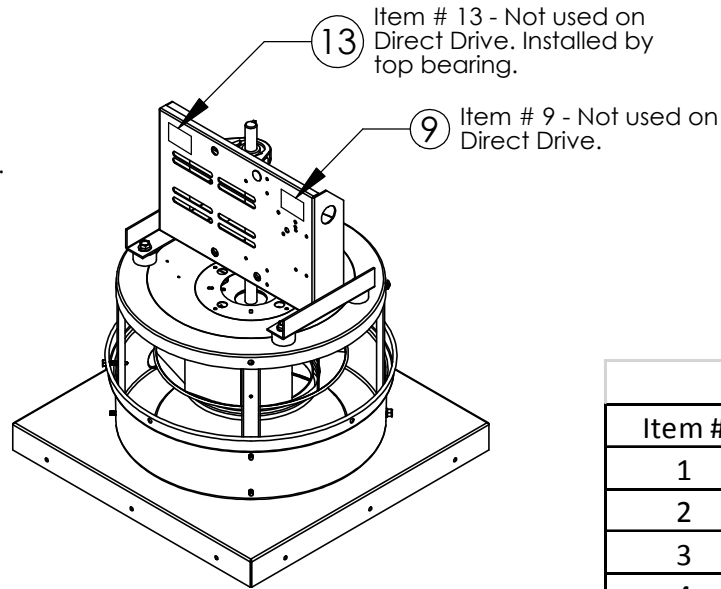
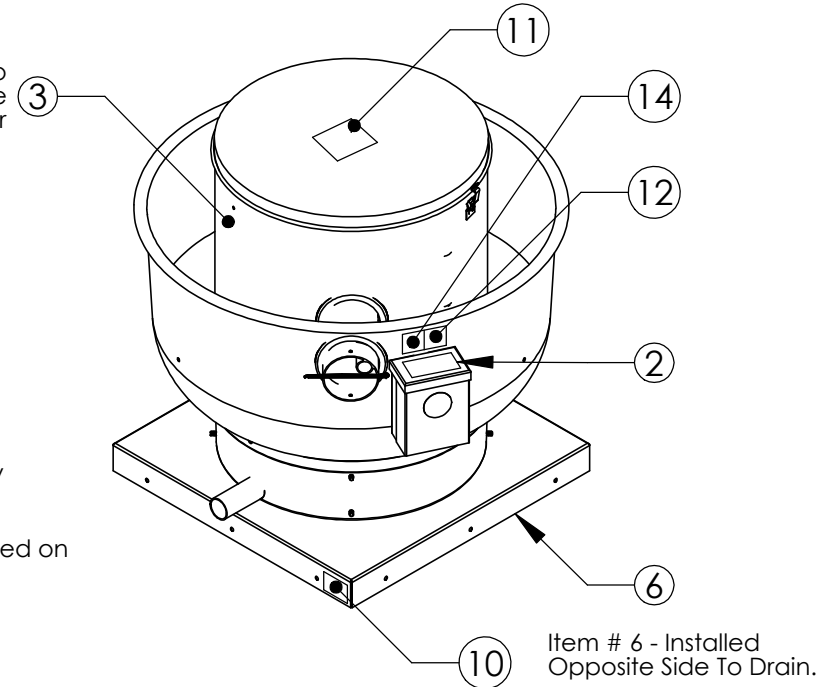
\*Used with 213T/215T framed motors. (One key per configuration)

Hardware - Up Blast Fan Direct Drive - Part Information.											
Item #	Description Of Parts	DU180	#	DU200	#	DU240	#	DU300	#	DU360	#
1	White Nylon Washer	800014	10	800014	10	800014	10	800014	20	800014	20
2	1/4 - 14 x 1.25 Self Drilling / Rubber Washer	800023B	10	800023B	15	800023B	20	800023B	30	800023B	30
3	1/4 - 20 x 5/8 Pan Head Whiz Screw	800026	5	800026	5	800026	5	800026	10	800026	10
4	3/8 - 16 x 1 1/2 Whiz Bolt Grade 5	800025	4	800025	4	800025	4	N/A			
4	1/2 - 13 x 1 1/2 Whiz Bolt Grade 5	N/A						A0005710	4	A0005710	4
5	3/8 - 16 Whiz Nut	800032	12	800032	12	800032	14	N/A			
5	1/2 - 13 Whiz Nut	N/A						A0005693	4	A0005693	4
6	3/8 - 16 x 1 3/4 Carriage Bolt	N/A									
7	5/16 - 18 x 1 1/2 Whiz Bolt Grade 5	800043	10	800043	10	800043	10	800043	10	800043	10
8	5/16 - 18 Whiz Nut	800033	10	800033	10	800033	10	800033	10	800033	10
9	1/4 - 20 x 3/4 Whiz Bolt Grade 5	800044	5	800044	5	800044	5	800044	10	800044	10
10	1/4 - 20 Whiz Nut	800034	20	800034	20	800034	20	800034	30	800034	30
11	1/4 - 20 Nylon Lock Nut	800031	10	800031	10	800031	10	800031	20	800031	20
12	Cotter Pin	800103	3	800103	3	800103	3	800103	3	800103	3
13	3/16 x 3/16 x 1 1/4 Key	800104	1	800104	1	N/A					
14	1/4 x 1/4 x 2 1/4 Key	800108*	1	800108*	1	800108	1	N/A			
15	5/16 x 5/16 x 2" Key	N/A						800114	1	800114	1
16	Heyco Bushing	810068	2	810068	2	810068	2	810068	2	810068	2
17	3/16 Rivet	800070A	8	800070A	18	800070A	18	800070A	21	800070A	28
18	Ludwig A - 17 Hood Clip	800107	4	800107	4	800107	4	800107	4	800107	6
19	SSPI Rivet	SSPI-08-06-RIVET	12	SSPI-08-06-RIVET	12	SSPI-08-06-RIVET	22	SSPI-08-06-RIVET	32	SSPI-08-06-RIVET	32

# Up Blast - Label Locations



Item # 3 - ETL Label is also placed on the inside of the shaft wrapper



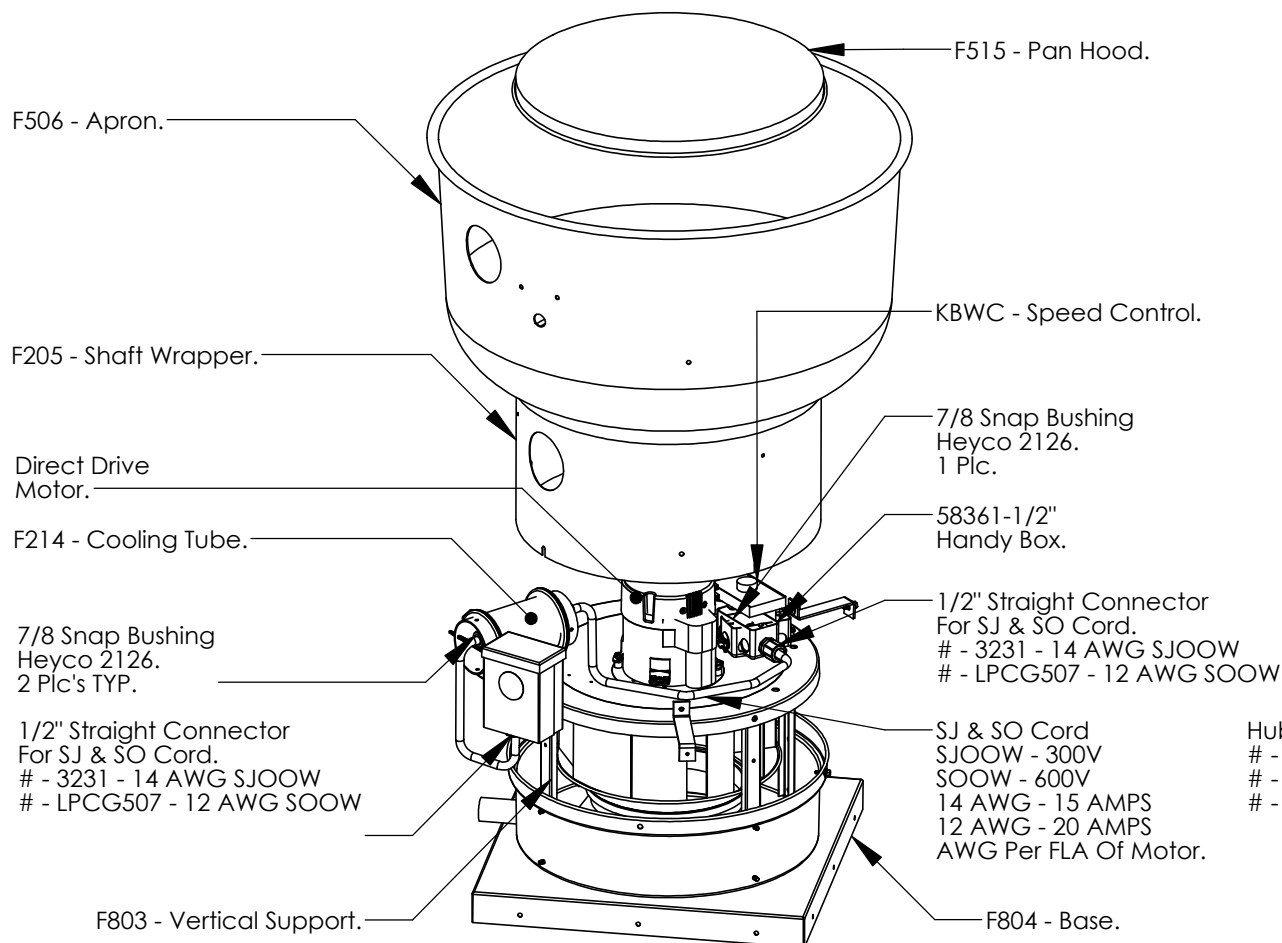
Labels - Up Blast Fan - Part Information.

Item #	Description Of Parts	#
1	Name Brand Label	1
2	Voltage & Phase Label	1
3	ETL Label	2
4	AMCA Air & Sound	1
5	QC Passed Label	1
6	Hinge Kit Label	1
7	Rotation Label CCW	1
9	Belt Size Label	1
10	Wall Mount Label	1
11	Loose Items Label	1
12	ATTENTION ! VFD Label	1
13	Bearing Grease Label	1
14	Disconnect Switch Label	1

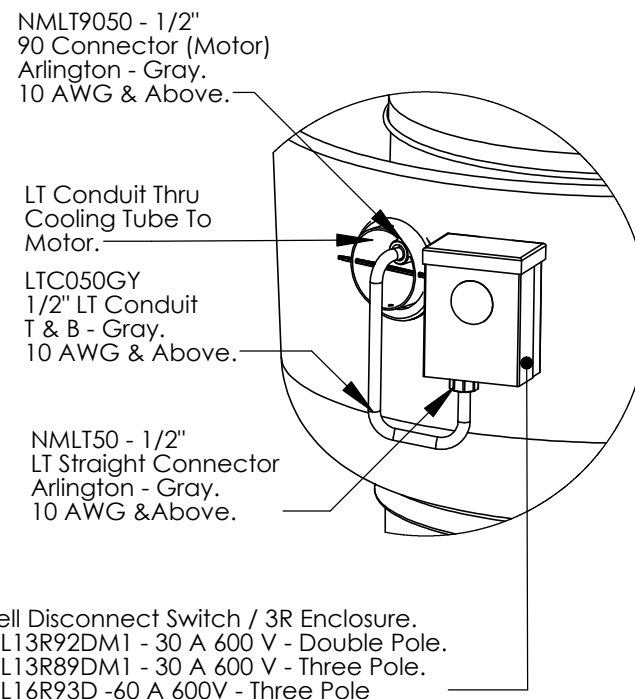


# Direct & Belt Drive - Up Blast - Electrical Components

## Motor Wiring - Direct Drive Details.



## Motor Wiring - Belt Drive Details.



### NOTES:

1. Belt drive electrical components are the same except the SJ, SO & LT are connected to the motor.
2. Belt drive fans requiring 10 AWG and above use liquid tight conduit and connectors.
3. Belt drive fans do not use KBWC speed controls or wire harnesses.
4. See the fan information sheet for AWG requirements.
5. All KBWC speed controls are set to 65 VAC minimum voltage under load.

\*\* One Motor per configuration

### Direct Drive - Motor - Part Information.

Item #	Description Of Parts	DU10	#	DU12	#	DU25	#	DU30	#	DU33	#	DU50	#	DU75	#	DU85	#	
1	Motor Single Phase	8550	1	8550A	1	6312R	1	6245R	1	6310R	1	6311R	1	6241R	1	6251R2	1	
2	Speed Control	KBWC-16K	1	KBWC-16K	1	KBWC-16K	1	KBWC-16K	1	KBWC-16K	1	KBWC-110K	1	KBWC-115K	1	KBWC-115K	1	
3	Wire Harness	810040E	1	810040E	1	810040D	1	810040D	1	810040D	1	810040D	1	810040D	1	810040D	1	
4	Motor Three Phase (VFD Only)	N/A									6315	1	6317	1	N/A		6319R	1

Item #	Description Of Parts	DU180	#	DU200	#	DU240	#	DU300	#	DU360
5	Motor Three Phase (VFD Only)**	00318OS3EF56Z	1	00318OS3EF56Z	1	DTP0054	1	DTP7/54	1	DTP7/54
		DS0034		DS0034		GP7/54		GP7/54		
		DTP0034		DTP0034		DTP0104		DTP0104		
		GP0034		GP0034		GP0104		GP0104		
6	Disconnect Switch	HBL13R92DM1	1	HBL13R92DM1	1	HBL13R92DM1	1	HBL13R92DM1/ HBL16R93D	1	HBL13R92DM1/ HBL16R93D