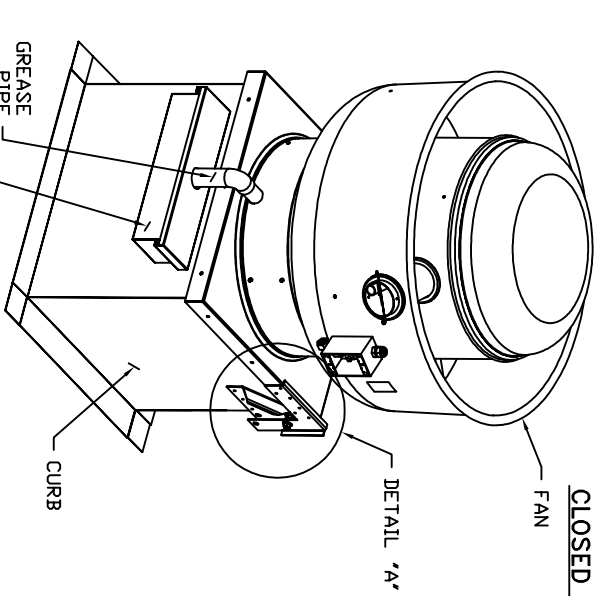
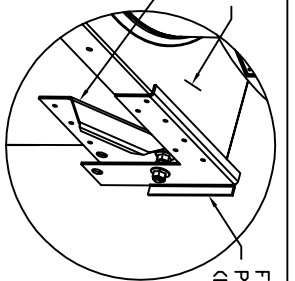


# HINGE KIT INSTALLATION

## CLOSED POSITION



FAN BASE  
CURB PLATE (LEFT)



FAN PLATE (LEFT)

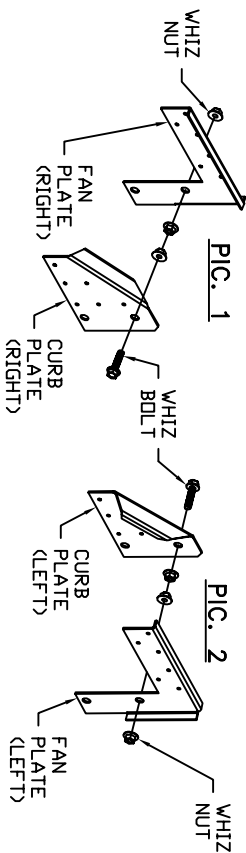
- PARTS INCLUDED**
- 2 - FAN PLATES (LEFT & RIGHT)
  - 2 - CURB PLATES (LEFT & RIGHT)
  - 2 - WHIZ BOLTS
  - 6 - WHIZ NUTS
  - SHEET METAL SCREWS
  - 12 - SHORT (1/2" LG.)
  - 12 - LONG (3/4" LG.)

DETAIL "A"

## HINGE KIT FIELD INSTALLATION

### STEP 1)

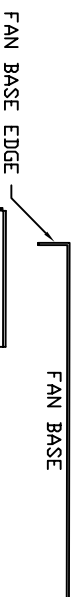
ASSEMBLE FAN PLATE WITH CURB PLATE AS SHOWN ON PIC. 1 AND PIC. 2 (IF PARTS ARE NOT ASSEMBLED).



### STEP 2)

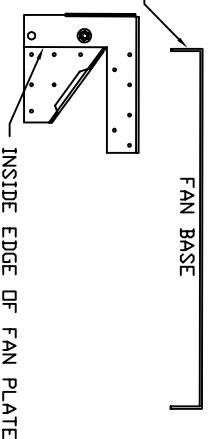
SEE DETAIL 'A' FOR POSITIONING FAN PLATE ON FAN BASE. LINE UP FAN BASE EDGE TO INSIDE EDGE OF FAN PLATE AS SHOWN ON PIC. 3.

PIC. 3

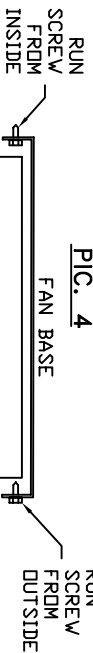


### STEP 3)

SCREW THE FAN PLATE TO THE FAN BASE USING THE (12) SHORT 1/2" LG. SHEET METAL SCREWS. NOTE: IF THE SCREWS HIT THE CURB, THEN RUN THE SCREWS FROM INSIDE THE FAN BASE, ALWAYS BE SURE THAT SCREWS DO NOT INTERFERE WITH CURB WHEN FAN SWINGS SEE PIC. 4.



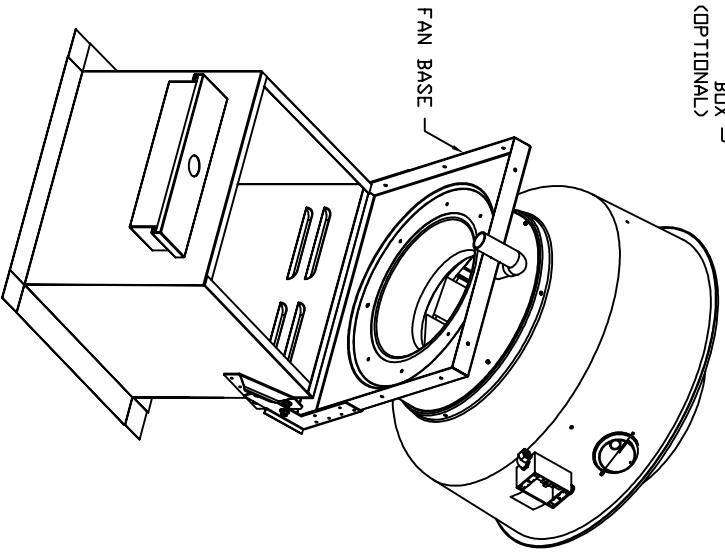
PIC. 4



### STEP 4)

SCREW THE CURB PLATE TO THE CURB USING THE (12) LONG 3/4" LG. SHEET METAL SCREWS. TIGHTEN NUT AND BOLT ASSEMBLY, ENSURE FAN SWINGS PROPERLY.

## OPEN POSITION



**ATTENTION!**  
INSTALLER MUST READ LABEL NEAR DISCONNECT SWITCH! MESSAGE ON LABEL. \*INSTALLER SHOULD SUPPLY ENOUGH ELECTRICAL CORD TO LET FAN MAKE COMPLETE SWING\*

