

**BDUHP SERIES UPBLAST EXHAUST FANS (UL762)**

**FEATURES:**

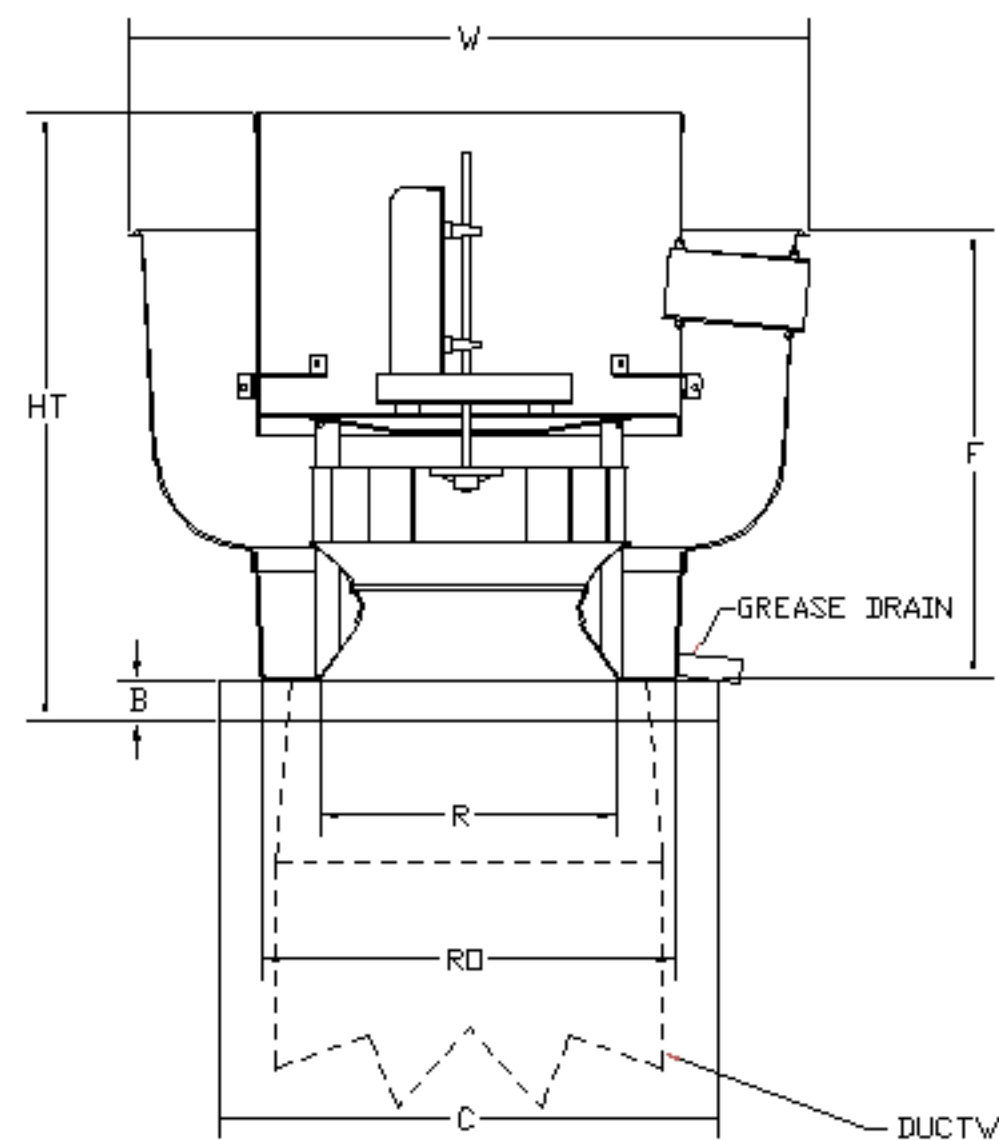
- ROOF MOUNTED FANS
- RESTAURANT MODEL
- UL705 & UL762
- AMCA SOUND AND AIR CERTIFIED
- WIRING FROM MOTOR TO DISCONNECT SWITCH
- WEATHERPROOF DISCONNECT
- HIGH HEAT OPERATION 300°F (149°C)
- GREASE CLASSIFICATION TESTING

NORMAL TEMPERATURE TEST  
EXHAUST FAN MUST OPERATE CONTINUOUSLY WHILE EXHAUSTING AIR AT 300°F (149°C) UNTIL ALL FAN PARTS HAVE REACHED THERMAL EQUILIBRIUM, AND WITHOUT ANY DETERIORATING EFFECTS TO THE FAN WHICH WOULD CAUSE UNSAFE OPERATION.

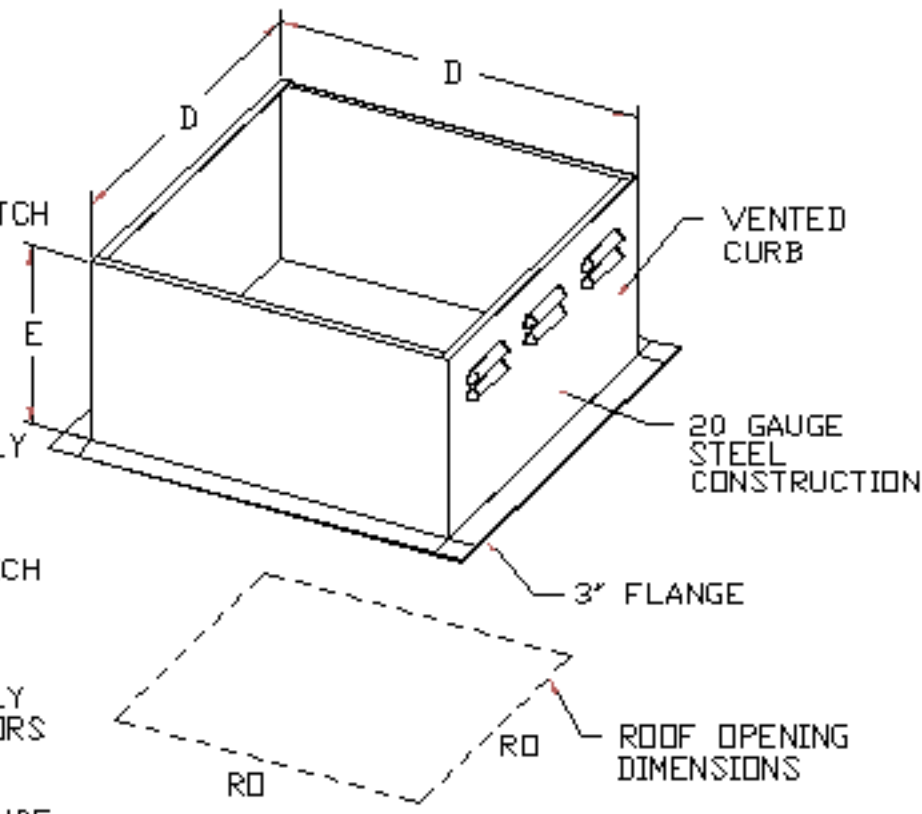
ABNORMAL FLARE-UP TEST  
EXHAUST FAN MUST OPERATE CONTINUOUSLY WHILE EXHAUSTING BURNING GREASE VAPORS AT 600°F (316°C) FOR A PERIOD OF 15 MINUTES WITHOUT THE FAN BECOMING DAMAGED TO ANY EXTENT THAT COULD CAUSE AN UNSAFE CONDITION.

**OPTIONS:**

- GREASE BOX
- HINGED FAN
- PITCHED CURB
- INSULATED CURB



DUCTWORK BETWEEN EXHAUST RISER ON HOOD AND FAN (BY OTHERS)



PITCHED CURBS ARE AVAILABLE FOR PITCHED ROOFS.

SPECIFY PITCH:  
EXAMPLE: 7/12 PITCH = 30° SLOPE

BDUHP BELT DRIVE CENTRIFUGAL UP-BLAST EXHAUST FANS DIMENSIONAL DATA

FAN MODEL	HT	W	B	C	F	R	RD	WEIGHT LB
BDU11HP	25 1/4	27 1/4	2	21	18 1/2	12 1/8	19	105
BDU13HP	27 1/4	30 1/4	2	21	21 1/2	13 1/4	19	120
BDU15HP	30 1/2	33 3/4	2	24 3/4	23	14 7/8	22 1/2	140
BDU18HP	33 3/4	39 3/8	2	28	22 5/8	16 1/2	26	190
BDU20HP	33 3/8	38 7/8	2	28	29 1/2	18	26	195
BDU24HP	37 1/2	43 3/8	2	33	30 5/8	23 7/8	31	270
BDU30HP	40	52 3/4	2	40	33 1/2	24	38	410
BDU36HP	45 9/16	63 7/16	2	44	43 7/16	30	42	470

CURB DIMENSIONAL DATA

FAN MODEL	D	E
BDU11HP	19 1/2	20
BDU13HP	19 1/2	20
BDU15HP	23	20
BDU18HP	26 1/2	20
BDU20HP	26 1/2	20
BDU24HP	31 1/2	20
BDU30HP	38 1/2	20
BDU36HP	42 1/2	20