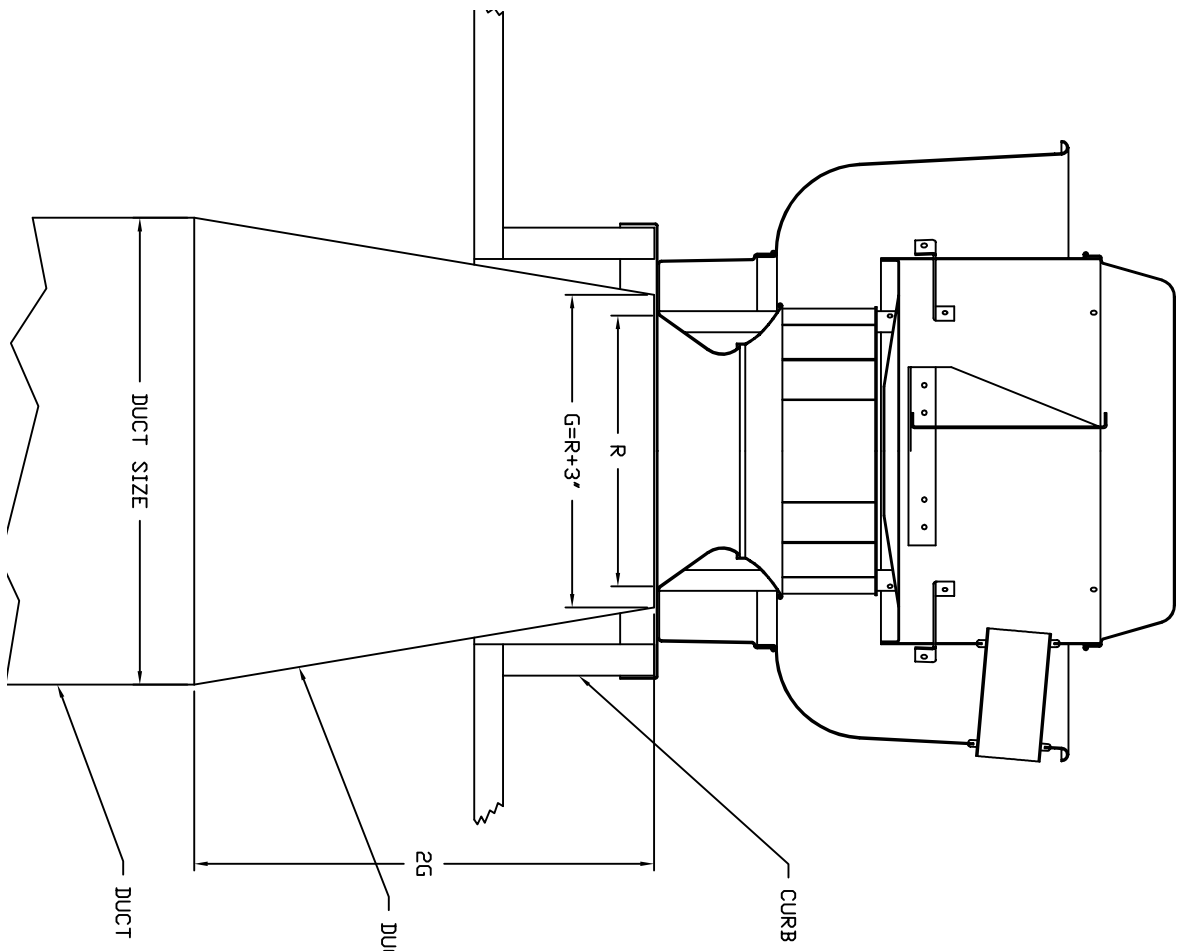


*BEST SOLUTION*



*OPTIONAL SOLUTION*

