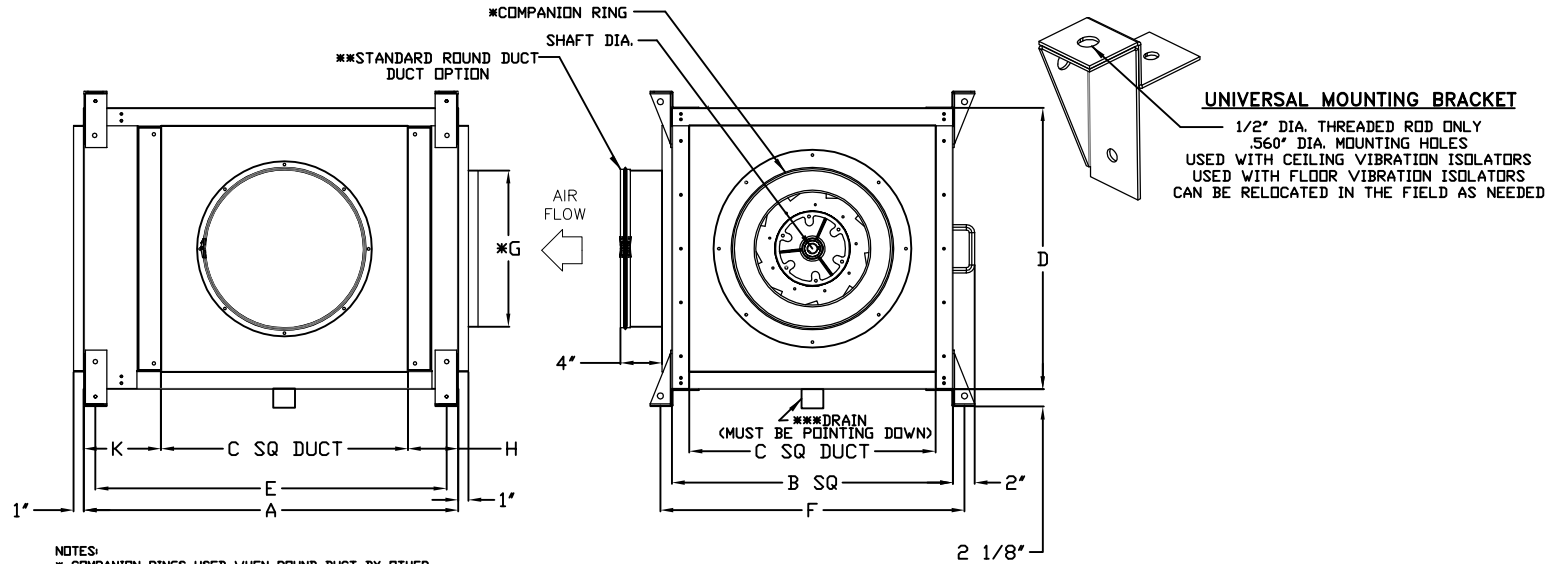


SIFDD SERIES LEFT SIDE INLINE FAN (UL705)

SIFDD-LS ONLINE FAN  
REV.03 1/28/2018



NOTES:

- ※ COMPANION RINGS USED WHEN ROUND DUCT BY OTHER.
- ※ COMPANION RINGS ARE INSTALLED ON THE INTAKE AND DISCHARGE SIDES.
- ※ WHEN COMPANION RINGS ARE USED TOTAL LENGTH INCREASE BY 2', 1/2" FRONT & 1 1/2" REAR.
- ※ DWXXFRISER USED WHEN CONNECTING TO STANDARD DUCT.
- ※ DWXXFRISERS ARE INSTALLED ON THE INTAKE AND DISCHARGE SIDES.
- ※ WHEN DWXXFRISERS ARE USED TOTAL LENGTH INCREASE BY 7', 3" FRONT & 4" REAR.
- ※※※ 1" NPT DRAIN CENTERED IN BASE SIF9DD-SS AND SIF10DD-SS. 2" NPT DRAIN USED ON SIZES 11-36.

SIFDD LEFT SIDE INLINE DIRECT DRIVE  
CENTRIFUGAL INLINE FAN DIMENSIONAL DATA

| FAN MODEL | A      | B      | C      | D      | E      | F      | G      | H     | K     | SHAFT<br>DD DIA. | ROUND<br>DUCT<br>CONNECTION | APPROX<br>SHIPPING<br>(LBS) |
|-----------|--------|--------|--------|--------|--------|--------|--------|-------|-------|------------------|-----------------------------|-----------------------------|
| SIF9DD    | 16 1/2 | 15     | 11 7/8 | 14 7/8 | 14 1/4 | 17     | 10     | 3/8   | 1 7/8 | 3/8              | 10" DUCT                    | 50                          |
| SIF10DD   | 16 1/2 | 15     | 11 7/8 | 14 7/8 | 14 1/4 | 17     | 10     | 3/8   | 1 7/8 | 1/2              | 10" DUCT                    | 50                          |
| SIF11DD   | 27 7/8 | 19 1/8 | 15 7/8 | 19 3/8 | 25 5/8 | 21 3/8 | 12 1/2 | 4 5/8 | 7 1/8 | 1/2              | 12" DUCT                    | 150                         |
| SIF13DD   | 29 7/8 | 21 1/8 | 17 7/8 | 21 1/8 | 27 5/8 | 23 3/8 | 13 1/2 | 4 5/8 | 7 1/8 | 1/2-7/8          | 14" DUCT                    | 160                         |
| SIF15DD   | 34 7/8 | 26 1/8 | 22 7/8 | 26 1/8 | 32 5/8 | 28 3/8 | 15 1/8 | 4 5/8 | 7 1/8 | 1/2-7/8          | 16" DUCT                    | 200                         |
| SIF18DD   | 35 7/8 | 27 1/8 | 23 7/8 | 27 1/8 | 33 5/8 | 29 3/8 | 18 1/2 | 4 5/8 | 7 1/8 | 1 1/8            | 20" DUCT                    | 250                         |
| SIF20DD   | 38 7/8 | 31 1/8 | 27 7/8 | 31 1/8 | 36 5/8 | 33 3/8 | 19 5/8 | 4 1/8 | 6 5/8 | 1 3/8            | 20" DUCT                    | 360                         |
| SIF24DD   | 44 7/8 | 38 1/8 | 34 7/8 | 38 1/4 | 42 5/8 | 40 3/8 | 25 1/4 | 3 5/8 | 6 1/8 | 1 5/8            | 24" DUCT                    | 420                         |
| SIF30DD   | 49 7/8 | 45 1/8 | 41 7/8 | 45 1/4 | 47 5/8 | 47 3/8 | 24 3/8 | 3 1/8 | 5 5/8 | 1 5/8            | 24" DUCT                    | 705                         |
| SIF36DD   | 54 7/8 | 52 1/8 | 47 7/8 | 52 1/8 | 52 1/8 | 54 3/8 | 30 3/8 | 5 3/8 | 6 3/8 | 1 7/8            | 24" DUCT                    | 870                         |

OPTIONS:

- FLOOR VIBRATION ISOLATORS
- CEILING VIBRATION ISOLATORS
- BACK DRAFT DAMPERS
- MOTORIZED BACK DRAFT DAMPERS
- COMPANION RINGS
- ROUND DUCT CONNECTION FOR STANDARD DUCT
- SIDE DISCHARGE LEFT
- SIDE DISCHARGE RIGHT
- UNIVERSAL HANGING BRACKET

FEATURES:

- DIRECT DRIVE CONSTRUCTION (NO BELTS/ PULLEYS)
- TWO ACCESS DOORS FOR EASY ACCESS
- BACKWARD INCLINED NON-OVERLOADING WHEELS
- UL705 LISTING
- AMCA AIR & SOUND CERTIFIED
- THERMAL OVERLOAD PROTECTION (SINGLE PHASE)
- DISCONNECT SWITCH