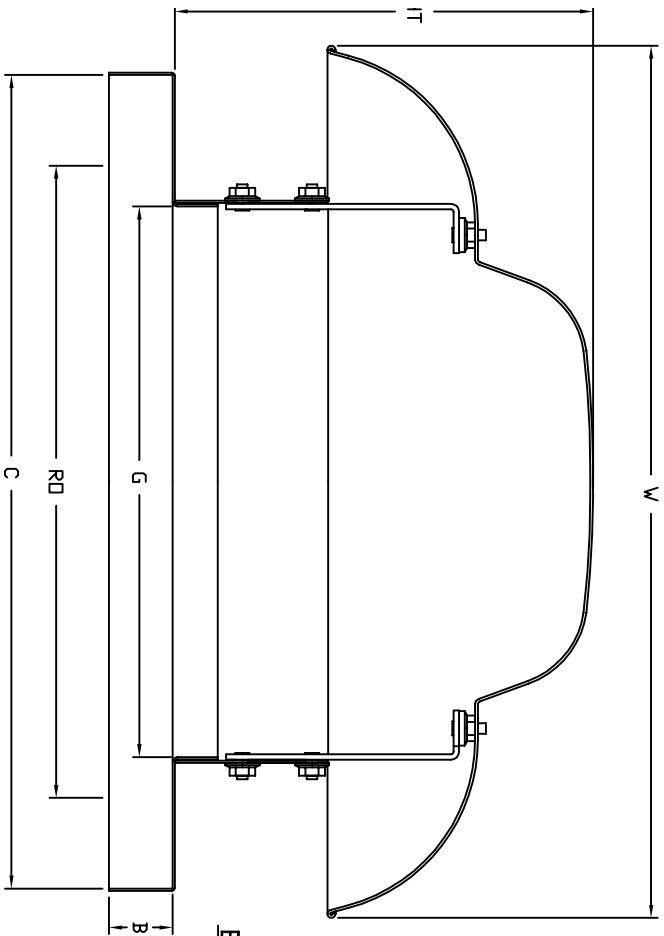


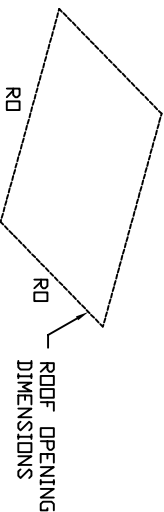
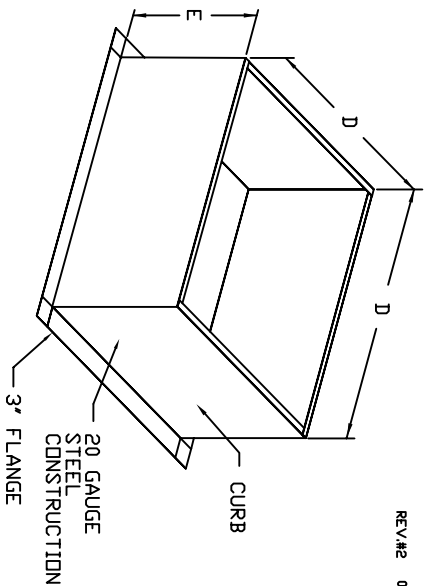
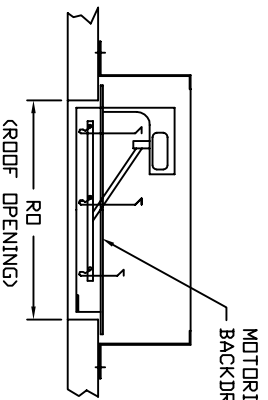
GV SERIES NON-MOTORIZED GRAVITY VENT



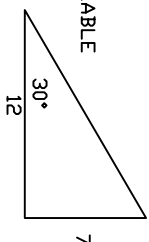
- FEATURES:**
- ROOF/WALL MOUNT GRAVITY VENT
 - STANDARD BIRD SCREEN

- OPTIONS:**
- MOTORIZED BACKDRAFT DAMPER
 - BACKDRAFT DAMPER (EXHAUST ONLY)
 - HINGED FAN
 - PITCHED CURB
 - INSULATED CURB

BACKDRAFT DAMPER INSTALLATION (OPTIONAL)



PITCHED CURBS ARE AVAILABLE FOR PITCHED ROOFS.
SPECIFY PITCH:
EXAMPLE: 7/12 PITCH = 30° SLOPE



GV NON-MOTORIZED GRAVITY UNITS DIMENSIONAL DATA

MODEL	HT	W	B	C	G	RD	WEIGHT LB
GV10	9 3/4	18 5/16	2	19	10 7/8	13	28
GV12	10 1/4	20 5/16	2	19	12 7/8	13	30
GV14	12 5/8	27 5/16	2	21	14 7/8	16	33
GV18	14 3/8	33 9/16	2	26	18 7/8	20	43
GV20	15 1/8	38 15/16	2	28	18	24	62
GV24	16 3/4	43 7/16	2	33	23 5/8	28	74
GV30	18 7/8	52 13/16	2	40	23 5/8	36	157
GV36	22 3/8	63 5/16	2	44	30	40	162

CURB DIMENSIONAL DATA

MODEL	D	E
GV10	17 1/2	12
GV12	17 1/2	12
GV14	19 1/2	12
GV18	24 1/2	12
GV20	26 1/2	12
GV24	31 1/2	12
GV30	38 1/2	12
GV36	42 1/2	12