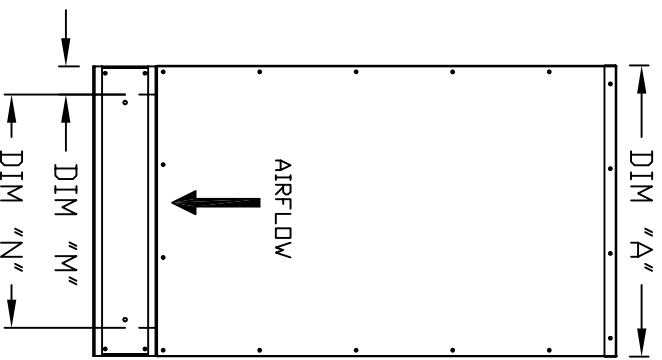
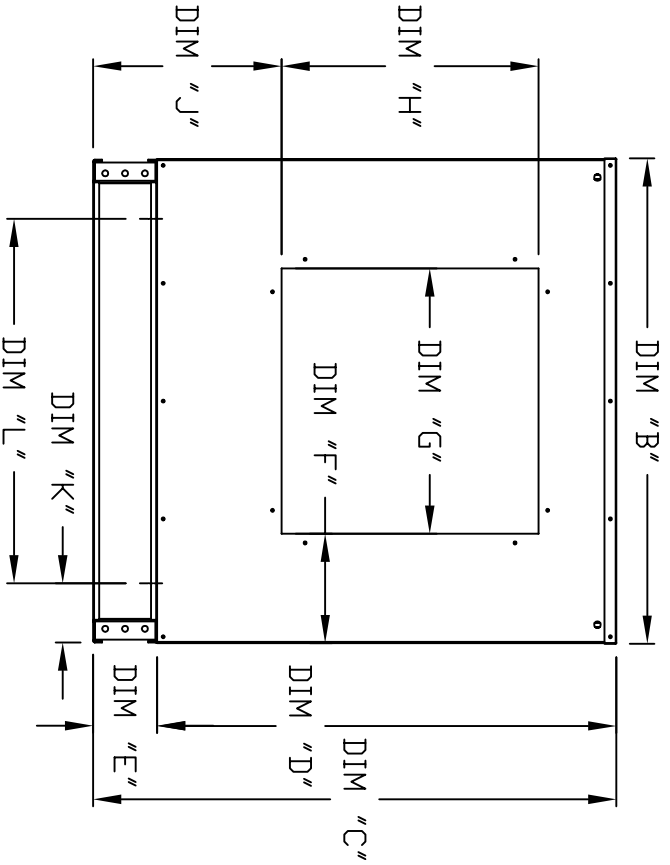
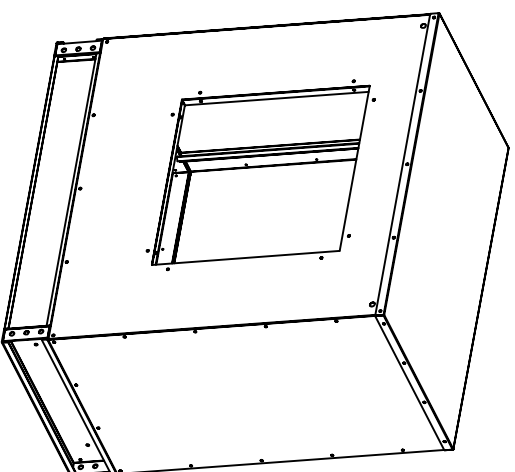
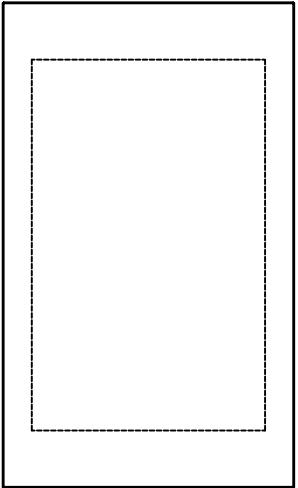


DOWNTURN PLENUM



UNIT INFORMATION	UNIT DIMENSIONS													INTAKE OPENING				DISCHARGE OPENING			
	MODEL	WEIGHT	A	B	C	D	E	F	G	H	J	K	L	M	N						
DP-01	80 LBS	18-1/4	26-1/4	29-3/4	26	3-3/4	6-1/2	13-1/4	11-1/2	11-7/8	6-1/8	13-7/8	3-1/4	11-1/2							
DP-02	115 LBS	24-1/4	36-1/4	36-3/4	33	3-3/4	2	27-1/16	29-5/8	5-3/4	6-7/8	22-3/8	3	18							
DP-03	140 LBS	24-1/4	40-1/4	43-3/8	38-1/8	5-1/4	2	36-1/16	34	7-7/16	8-7/8	22-3/8	3	18							
DP-04	190 LBS	30-1/4	47-1/4	51-3/18	46-1/8	5-1/4	2	43-1/16	42	7-7/16	7-7/8	31-1/2	3-1/4	23-1/2							
DP-05	230 LBS	30-1/4	58	58-3/8	53-1/8	5-1/4	2	53-7/8	49	7-7/16	13-1/4	31-1/2	3-1/4	23-1/2							