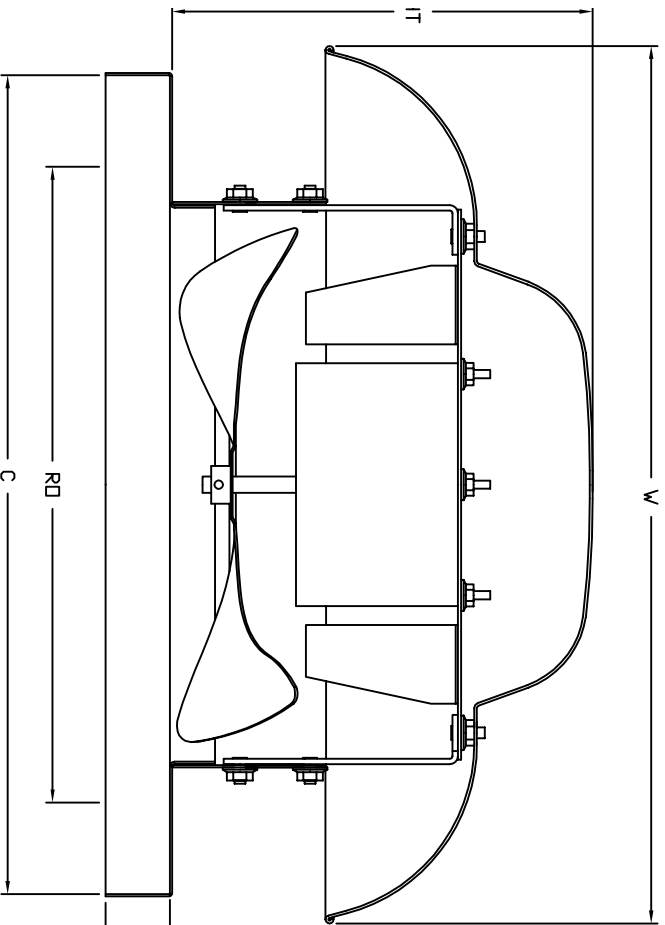


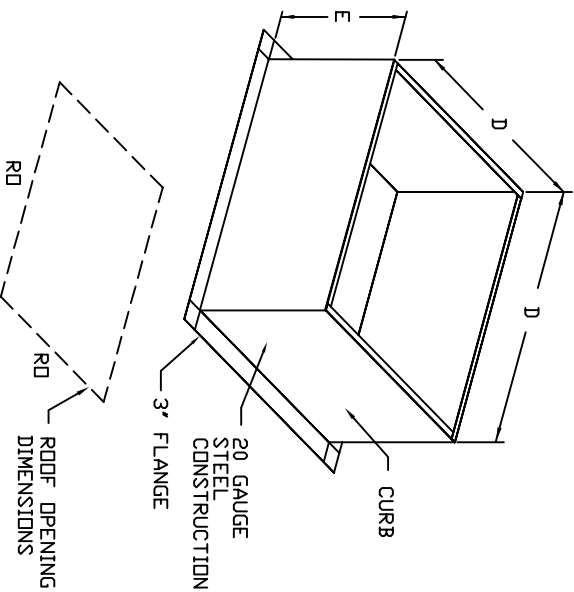
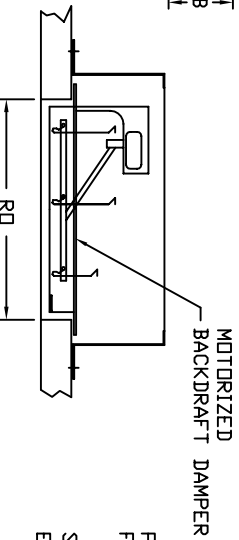
**DMUARA SERIES ECONOMY MAKE-UP AIR UNITS**



- FEATURES:**
- ROOF MOUNTED FANS
  - THERMAL OVERLOAD PROTECTION
  - STANDARD BIRD SCREEN
  - SAFETY DISCONNECT

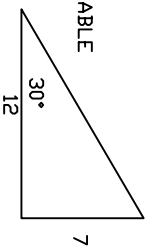
- OPTIONS:**
- HINGED FAN
  - PITCHED CURB
  - INSULATED CURB
  - MOTORIZED BACKDRAFT DAMPER

**BACKDRAFT DAMPER INSTALLATION**



PITCHED CURBS ARE AVAILABLE FOR PITCHED ROOFS.

SPECIFY PITCH:  
EXAMPLE: 7/12 PITCH = 30° SLOPE



**DMUARA ECONOMY MAKE-UP AIR UNITS DIMENSIONAL DATA**

FAN MODEL	HT	V	B	C	RD	WEIGHT LB
DMUA14RA	12 5/8	27 5/16	2	21	16	45
DMUA18RA	14 3/8	33 9/16	2	26	20	67

**CURB DIMENSIONAL DATA**

FAN MODEL	D	E
DMUA14RA	19 1/2	12
DMUA18RA	24 1/2	12