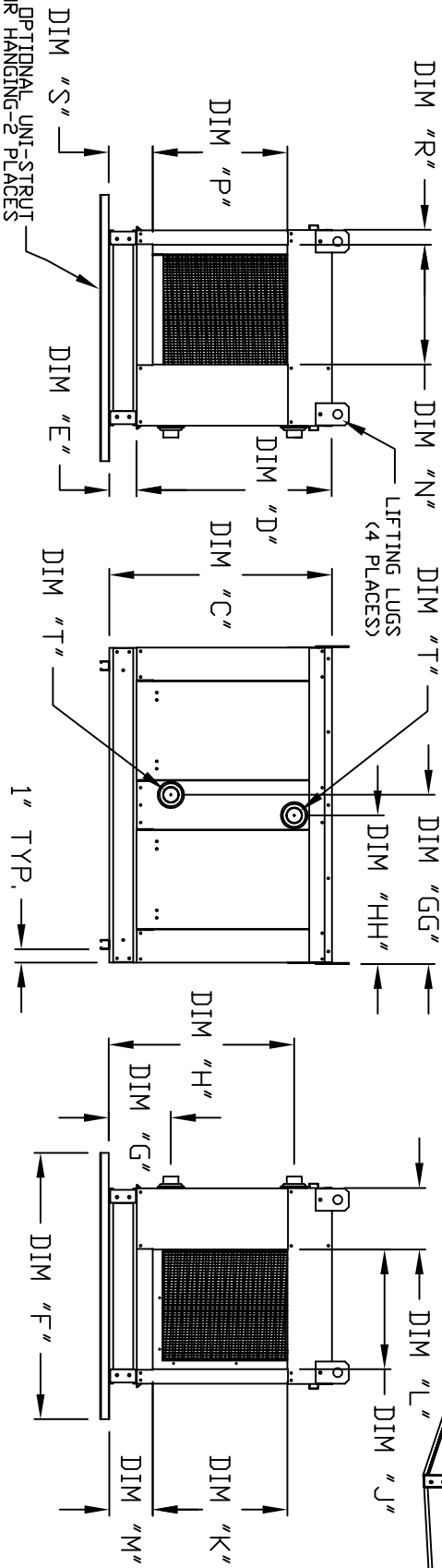
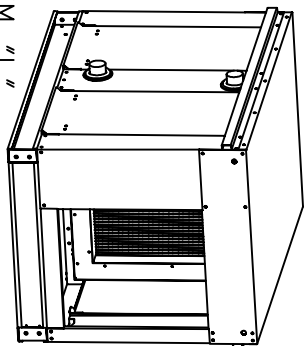
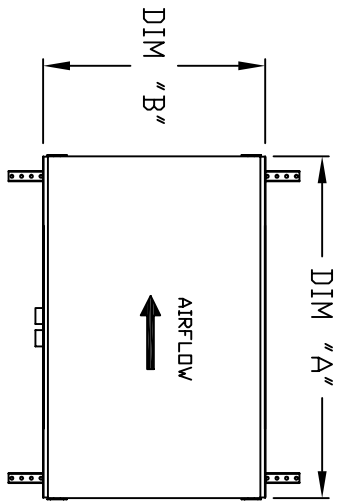


10T WATER MODULE

HVM
REV AS 06/15/201



ALL DIMENSIONS ARE NOMINAL AND GIVEN IN INCHES.

MODEL	WEIGHT	UNIT DIMENSIONS													INTAKE OPENING			DISCHARGE OPENING		
		A	B	C	D	E	F	G	GG	H	HH	J	K	L	M	P	N	R	S	
HVCM1	160 LBS	42-1/8	27-3/8	29-3/4	26-1/16	3-3/4	36	8-1/4	22-7/16	24-3/4	19-11/16	16	18	8-1/8	5-3/4	16	18	1-15/16	5-3/4	
HVCM2	220 LBS	42-1/8	37-3/8	36-3/4	33-1/16	3-3/4	48	8-1/4	22-7/16	28-3/4	19-11/16	22-3/4	24	8-1/8	5-3/4	24	24	5-3/16	5-3/4	
HVCM3	260 LBS	42-1/8	41-3/8	43-3/8	38-1/16	5-1/4	60	9-1/2	22-3/16	38	19-15/16	30	30	8-1/8	7-1/2	30	30	1-15/16	7-1/2	
HVCM4	435 LBS	54-3/16	48-7/16	51-3/8	46-1/8	5-1/4	60	10	28-9/16	45-1/2	25-9/16	34	36	10-3/16	7-1/2	34	36	2-15/16	7-1/2	
HVCM5	525 LBS	54-3/16	59-3/16	58-3/8	53-1/8	5-1/4	72	10-1/4	28-13/16	52-1/4	25-5/16	43	43	10-3/16	7-1/2	43	43	4-11/16	7-1/2	

UNIT INFORMATION.

MODEL	TOTAL CAPACITY (MBH)	PIPE CONNECTION
HVCM1	165.63	1" (MPT)
HVCM2	320.88	2
HVCM3	514.97	1-1/2
HVCM4	831.87	2-1/2
HVCM5	1230.14	3