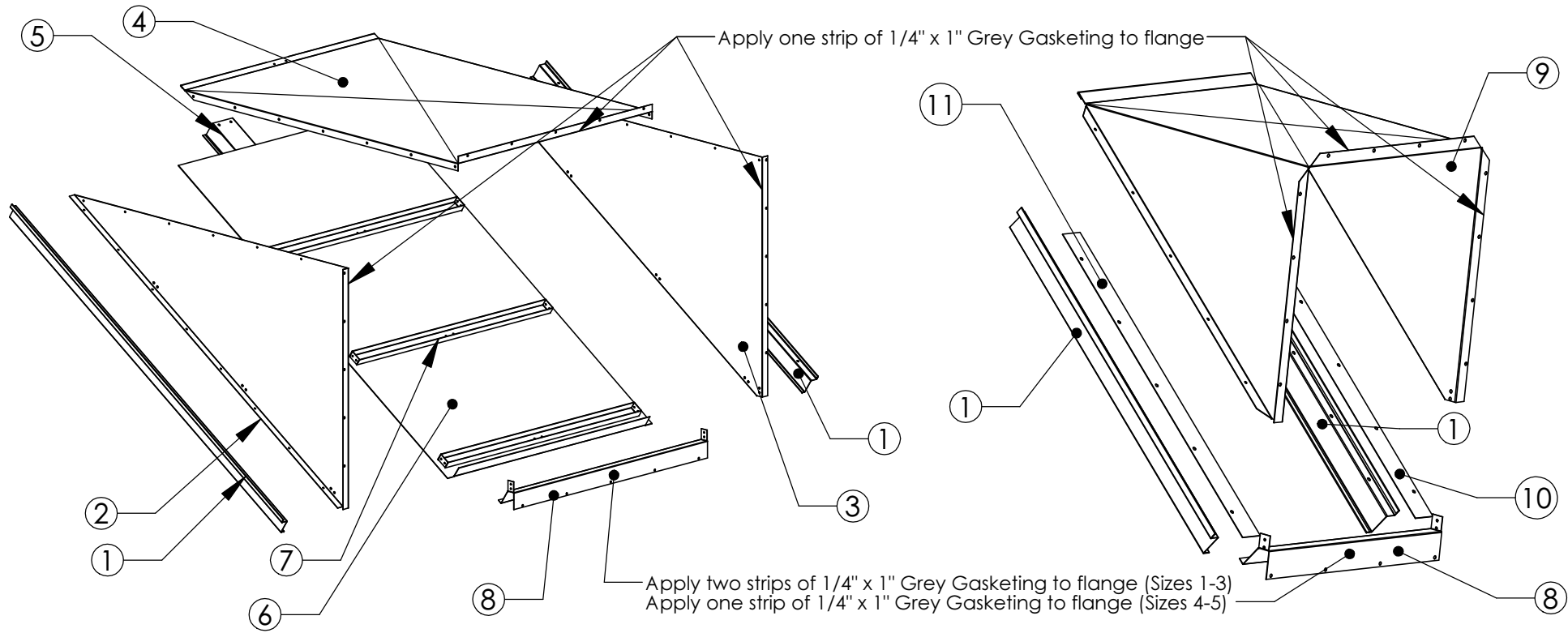


SLOPED
INTAKE
EXPLODED
VIEW
12/31/2013

Revision History				
#	Description	Revised by	ECN #	Date
0	Released to production	JTS	1882	2/15/10
1	Include NSAU Intake	WBG	2382	10/28/11
2	Sloped Intake Updates	JJH	2679	12/31/13

MODULAR SERIES FAN INTAKE HOOD (3 PIECE AWNING)

NS SERIES INTAKE HOOD (1 PIECE AWNING)



Intake Hood	Filter Quantity	
	16x20x2	20x25x2
Size 1	3	
Size 2		3
Size 3	6	
Size 4	10	
Size 5		8
Size N1	2	
Size N2		2

Number	Description	Unit Size							
		Size 1	Size 2	Size 3	Size 4	Size 5	Size N1	Size N2	
1	Gutter	A1GUTT (2)	A2GUTT (2)	A3GUTT (2)	A4GUTT (2)	A5GUTT (2)	N1GUTT (2)	N2GUTT (2)	
2	Right Side	A1RSID	A2RSID	A3RSID	A4RSID	A5RSID	N/A	N/A	
3	Left Side	A1LSID	A2LSID	A3LSID	A4LSID	A5LSID			
4	Top	A1TOPP	A2TOPP	A3TOPP	A4TOPP	A5TOPP			
5	Filter Track	N/A	N/A	A3FTRK	A4FTRK	A5FTRK	N/A	N/A	
6	Screen	A1ISCN	A2ISCN	A3ISCN	A4ISCN	A5ISCN	N/A	N/A	
7	Screen Retainer	N/A	N/A	A3SRET(3)	A4SRET (2)	A5SRET (2)	N/A	N/A	
8	Bottom	A1FBOT	A2FBOT	A3FBOT	A4FBOT	A5FBOT	N1FBOT	N2FBOT	
9	Awning	N/A	N/A	N/A	N/A	N/A	N1FAWN	N2FAWN	
10	Filter Stops	N/A	N/A	N/A	N/A	N/A	N1FSTP (2)	N2FSTP (2)	

Material: N/A
Blank Size: N/A x N/A
Weight: N/A lbs

Part Number: N/A
MACOLA/AX Number: N/A
Drawing Name: Sloped Intake Exploded View
Drawn By: JTS
Parent Assembly: Sloped Filtered Intake
Sheet: 2 of 2

Unless Otherwise Specified
Dimensions are in Inches.

Standard Tolerances are:
Fractions: ±1/16
Decimal: .XX±.05
.XXX±.015
Angles: ±1°

CONFIDENTIAL