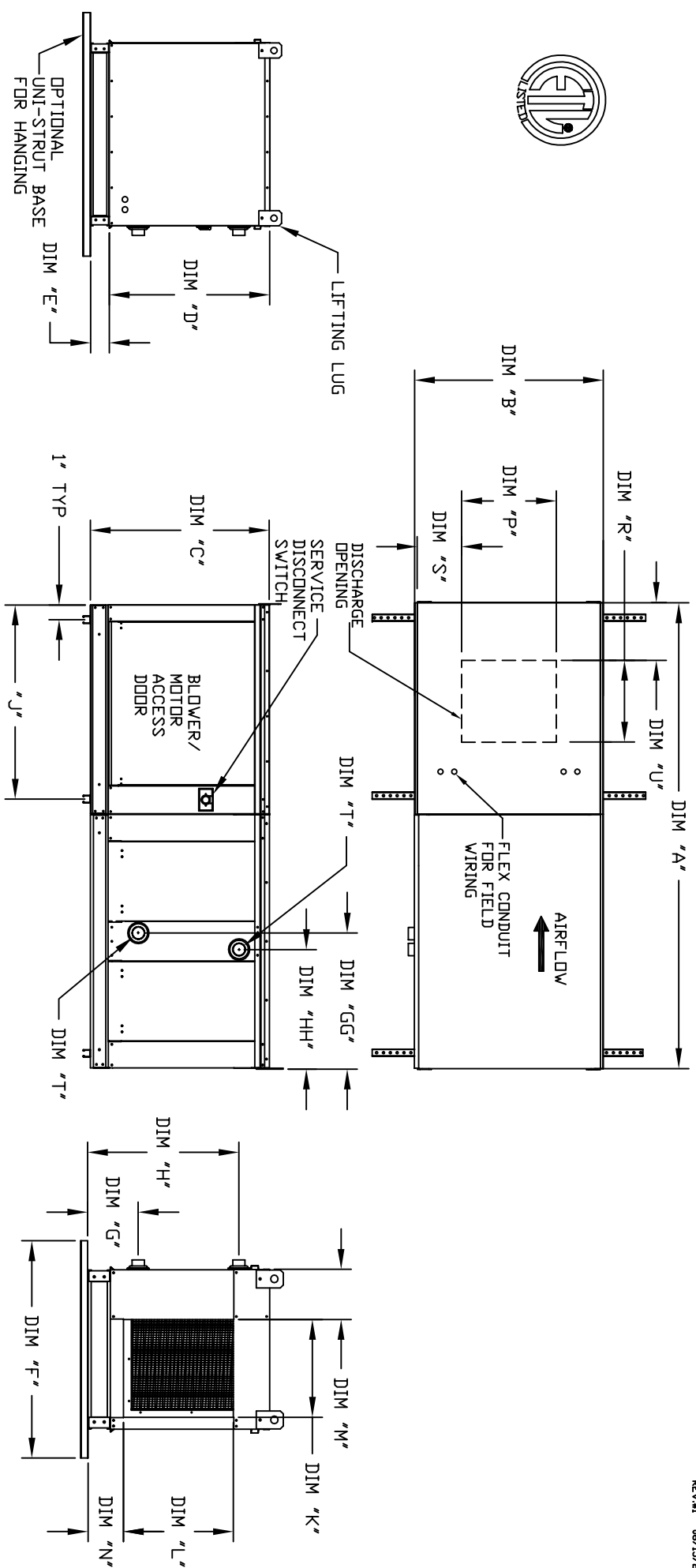


MODULAR INDOOR DOWN DISCHARGE BLOWER WITH HEATING COIL

HCPDH
REV.#1 06/15/2015



ALL DIMENSIONS ARE NOMINAL AND GIVEN IN INCHES.

MODEL	UNIT DIMENSIONS											INTAKE OPENING				DISCHARGE OPENING			
	A	B	C	D	E	F	J	K	L	M	N	P	R	S	U	H	G	H	HH
G10	74-3/8	27-3/8	29-3/4	26-1/16	3-3/4	36	31-1/8	16	18	8-1/8	5-3/4	13 1/4	11-1/2	6-3/8	7-1/4	8-3/4	21-1/16	16-15/16	21-1/16
G12	82-3/8	37-3/8	36-3/4	33-1/16	3-3/4	48	39-1/8	22-3/4	24	8-1/8	5-3/4	15-3/4	13-9/16	10-1/8	12-1/2	8-3/4	21-1/16	18-3/8	21-1/16
G15	82-3/8	37-3/8	36-3/4	33-1/16	3-3/4	48	39-1/8	22-3/4	24	8-1/8	5-3/4	18-3/4	16	8-5/8	10	8-3/4	21-1/16	18-3/8	21-1/16
G18	87-3/8	41-3/8	43-3/8	38-1/16	5-1/4	60	44-1/8	30	30	8-1/8	7-1/2	22	19	9	12	10-1/4	21-1/16	23-5/8	21-1/16
G20	118-1/2	48-7/16	51-3/8	46-1/8	5-1/4	60	63-3/16	34	36	10-3/16	7-1/2	24-7/8	24-7/8	11-1/16	12-1/4	10-1/4	27-3/32	28-5/8	27-3/32
G25	128-1/2	59-3/16	58-3/8	53-1/8	5-1/4	72	73-3/16	43	43	10-3/16	7-1/2	31-3/8	31-3/8	13-3/16	14-1/2	10-1/4	27-3/32	31-3/4	27-3/32

MODEL	HOT WATER COIL MODULE				STEAM COIL MODULE			
	WEIGHT (LBS)	WEIGHT (MBH)	PIPE CONNECTION (MPIT)	TOTAL CAPACITY (MBH)	WEIGHT (LBS)	WEIGHT (MBH)	PIPE CONNECTION (MPIT)	TOTAL CAPACITY (MBH)
G10	365	165.63	2	176.49	365	176.49	2-1/2	176.49
G12	570	320.88	2	328.19	570	328.19	2-1/2	328.19
G15	580	320.88	2	328.19	580	328.19	2-1/2	328.19
G18	695	514.97	1-1/2	505.64	690	505.64	2-1/2	505.64
G20	1170	831.87	2-1/2	812.24	1145	812.24	2-1/2	812.24
G25	1630	1230.16	3	1234.45	1625	1234.45	2-1/2	1234.45