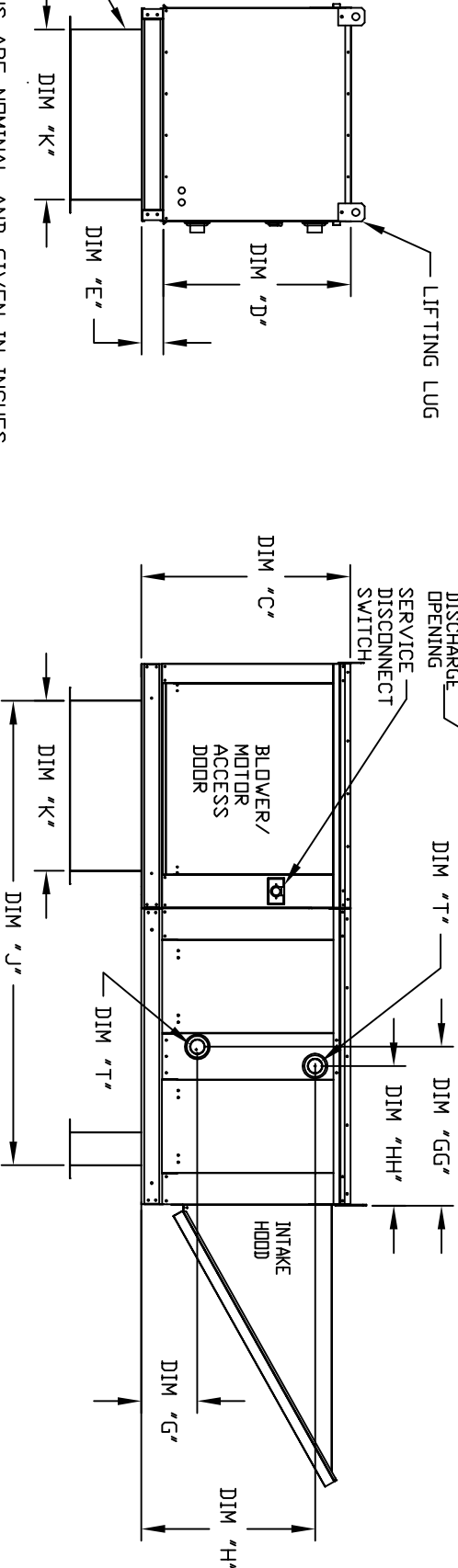
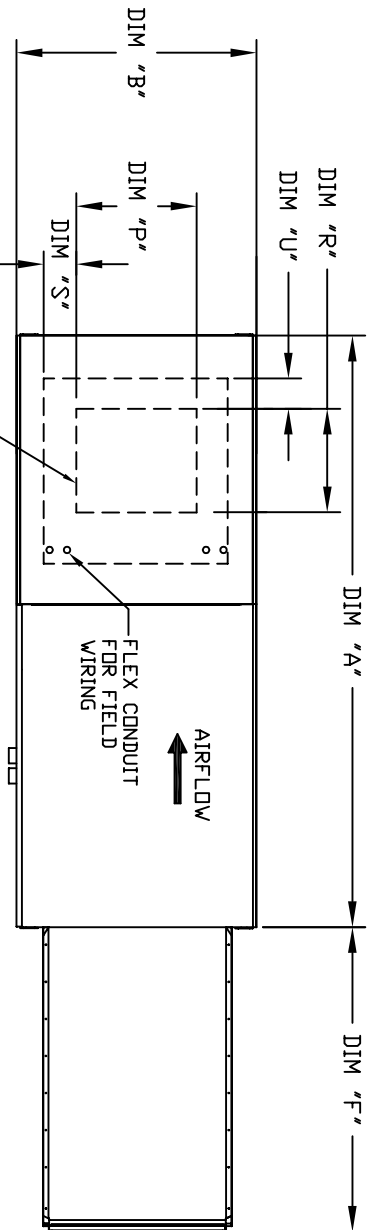


MODULAR OUTDOOR DOWN DISCHARGE BLOWER WITH HEATING COIL AND INTAKE HOOD

REV#2 1/4/2009



ALL DIMENSIONS ARE NOMINAL AND GIVEN IN INCHES.

MODEL	UNIT DIMENSIONS										DISCHARGE OPENING										UNIT INFORMATION									
	A	B	C	D	E	F	J	K	P	R	S	U	Filter Size & Qty	Max. Filter Velocity	G	GG	H	HH	G	GG	H	HH	PSI	G	GG	H	HH			
G10	74-3/8	27-3/8	29-3/4	26-1/16	3-3/4	44-3/8	65-13/16	21	13-1/4	11-1/2	3-7/8	1-3/4	16"x20"x2" (3)	667 FPM	5	8-3/4	21-1/16	16-15/16	21-1/16	21-1/16	5	8-3/4	21-1/16	16-15/16	21-1/16	21-1/16				
G12	82-3/8	37-3/8	36-3/4	33-1/16	3-3/4	53-5/8	74-5/8	31	15-3/4	13-9/16	7-5/8	7-15/16	20"x25"x2" (3)	580 FPM	5	8-3/4	21-1/16	18-3/8	21-1/16	21-1/16	5	8-3/4	21-1/16	18-3/8	21-1/16	21-1/16				
G15	82-3/8	37-3/8	36-3/4	33-1/16	3-3/4	53-5/8	74-5/8	31	18-3/4	16	6-1/8	5-1/2	20"x25"x2" (3)	696 FPM	5	10-1/4	21-1/16	23-5/8	21-1/16	21-1/16	5	10-1/4	21-1/16	23-5/8	21-1/16	21-1/16				
G18	87-3/8	41-3/8	43-3/8	38-1/16	5-1/4	51-5/8	79-3/16	35	22	19	6-1/2	7	16"x20"x2" (6)	762 FPM	5	10-1/4	21-1/16	23-5/8	21-1/16	21-1/16	5	10-1/4	21-1/16	23-5/8	21-1/16	21-1/16				
G20	118-1/2	48-7/16	51-3/8	46-1/8	5-1/4	76-3/8	104-9/32	42	24-7/8	24-7/8	8-9/16	1-1/8	16"x20"x2" (10)	857 FPM	5	10-1/4	27-3/32	28-5/8	27-3/32	27-3/32	5	10-1/4	27-3/32	28-5/8	27-3/32	27-3/32				
G25	128-1/2	59-3/16	58-3/8	53-1/8	5-1/4	71-3/8	114-21/32	52-3/4	31-3/8	31-3/8	10-11/16	13-13/16	20"x25"x2" (8)	957 FPM	5	10-1/4	27-3/32	31-3/4	27-3/32	27-3/32	5	10-1/4	27-3/32	31-3/4	27-3/32	27-3/32				

HOT WATER COIL MODULE

MODEL	WEIGHT (LBS)	TOTAL CAPACITY (MBH)	PIPE CONNECTION
G10	410	165.63	2"
G12	635	320.88	2"
G15	645	320.88	2"
G18	785	514.97	2-1/2"
G20	1380	831.87	2-1/2"
G25	1855	1230.16	3"

STEAM COIL MODULE

MODEL	WEIGHT (LBS)	TOTAL CAPACITY (MBH)	PIPE CONNECTION	STEAM
G10	410	176.49	2-1/2"	5
G12	635	328.19	2-1/2"	5
G15	645	328.19	2-1/2"	5
G18	780	505.64	2-1/2"	5
G20	1335	812.24	2-1/2"	5
G25	1850	1234.45	2-1/2"	5