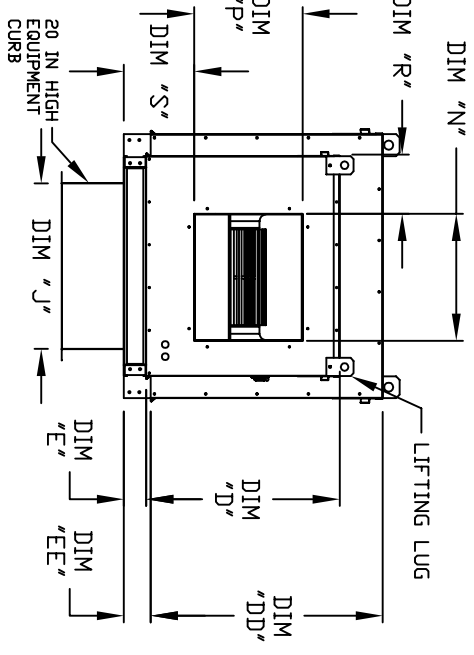
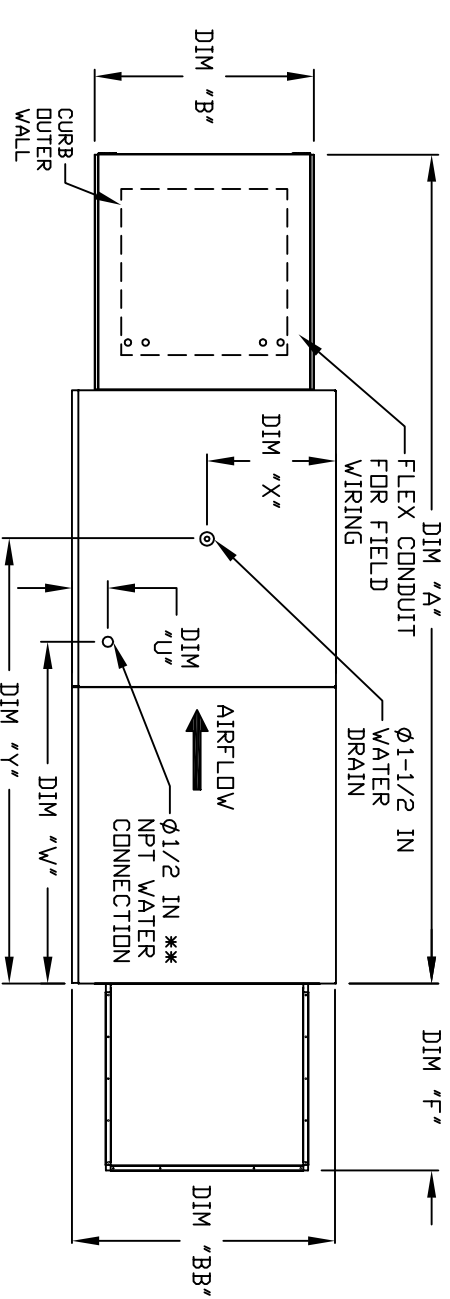


MODULAR OUTDOOR SIDE DISCHARGE BLOWER WITH V-BANK, LPD CELDEK EVAPORATIVE COOLER AND SCREEN INTAKE

SIVBA/PBCS/AH
REV.#1 01/13/201



MAX. ROOF OPENING 2' SMALLER THEN CURB OUTSIDE DIMENSION

ALL DIMENSIONS ARE NOMINAL AND GIVEN IN INCHES.

MODEL	UNIT DIMENSIONS												DISCHARGE OPENING					WATER INLET DRAIN OPENING		
	A	B	BB	C	CC	D	DD	E	EE	F	J	N	P	R	S	U	W	X	Y	
G10	27-3/8	36-3/4	29-3/4	36-3/4	26-1/16	33	3-3/4	3-3/4	30-5/16	21	13-1/4	11-1/2	6-3/8	11-7/8	4-1/2	38-1/2	18	48-1/4		
G12	37-3/8	40-3/4	36-3/4	43-3/8	33-1/16	38-1/8	3-3/4	5-1/4	34-3/16	31	15-3/4	13-9/16	10-1/8	13-1/16	4-1/2	44	20	57-1/4		
G15	37-3/8	40-3/4	36-3/4	43-3/8	33-1/16	38-1/8	3-3/4	5-1/4	34-3/16	31	18-3/4	16	8-5/8	14-1/16	4-1/2	44	20	57-1/4		
G18	41-3/8	47-7/8	43-3/8	51-3/8	38-1/16	46-1/8	5-1/4	5-1/4	47-1/4	35	22	19	9	17-7/8	4-1/2	41-1/8	23-1/2	52-7/8		
G20	48-7/16	58-5/8	51-3/8	58-3/8	46-1/8	53-1/8	5-1/4	5-1/4	49-5/8	42	24-7/8	24-7/8	11-1/16	19-1/8	4-1/2	41-1/8	28-7/8	52-7/8		
G25	74-7/8	88-3/8	81-3/8	88-3/8	53-1/8	61-1/8	5-1/4	5-1/4	57-1/8	52	31-3/8	31-3/8	13-3/16	21-9/16	4-1/2	41-1/8	37-1/2	52-7/8		

UNIT INFORMATION

MODEL	LPD CELDEK EVAPORATIVE COOLING UNIT				V-BANK			
TOT. WEIGHT	MEDIA SIZE & QTY	NOZZLES	MAX. FLOW RATE	FILTER SIZE & QTY				
G10	550 LBS	25"x32"x12"	20	6.5 GPH	16"x20"x2" (8)			
G12	795 LBS	30"x36"x12"	28	8.4 GPH	20"x25"x2" (8)			
G15	805 LBS	30"x36"x12"	28	8.4 GPH	20"x25"x2" (8)			
G18	1070 LBS	38"x43"x12"	35	10.15 GPH	16"x20"x2" (15)			
G20	1530 LBS	45"x54"x12"	42	12.6 GPH	20"x25"x2" (12)			
G25	2035 LBS	45"x72"x12"	57	20.1 GPH	20"x25"x2" (12)			