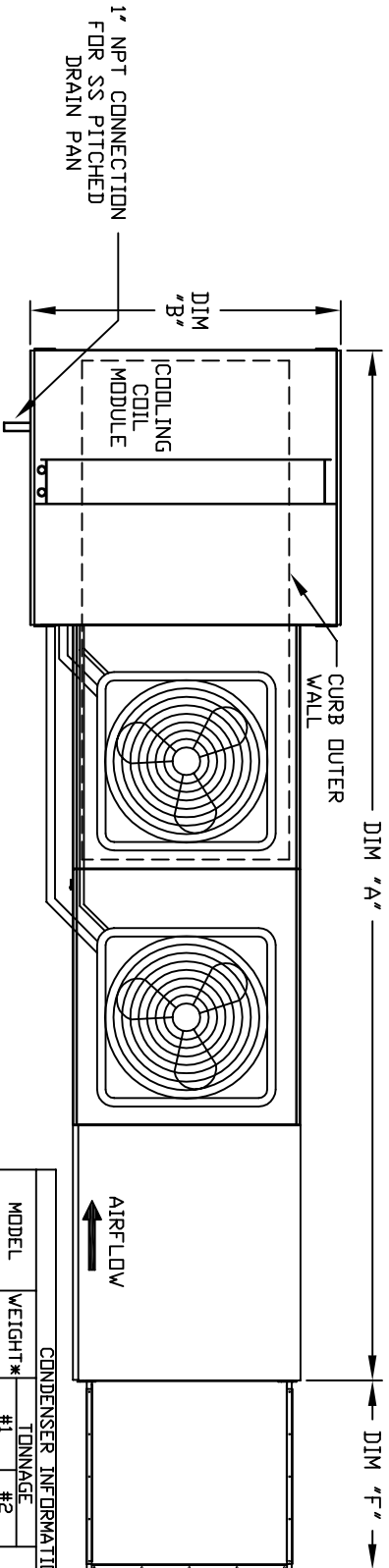


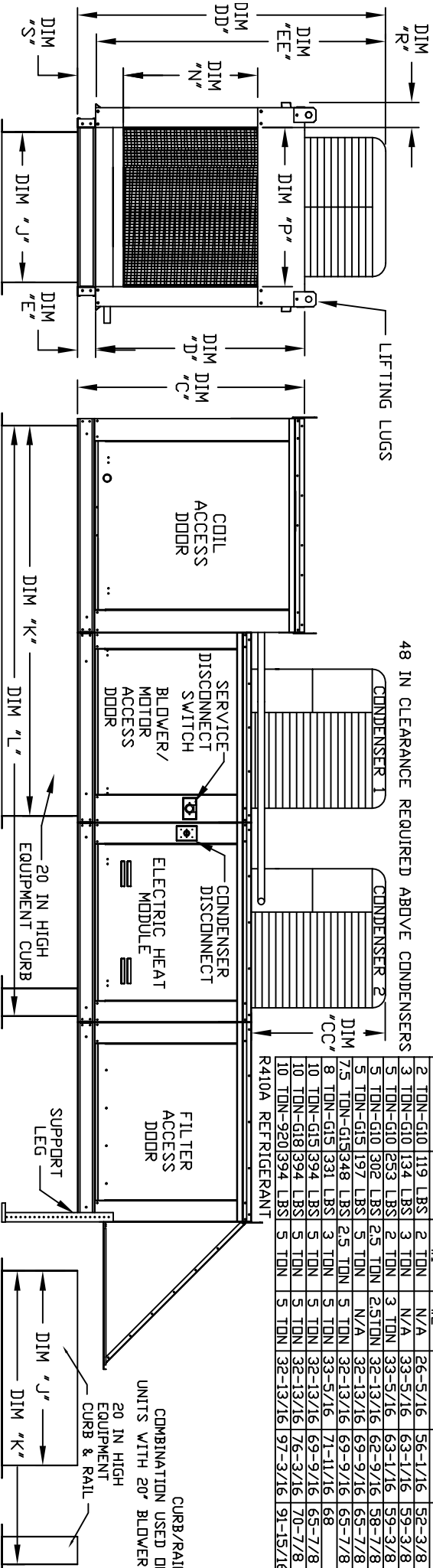
MODULAR OUTDOOR SIDE DISCHARGE ELECTRIC HEATER PACKAGED UNIT WITH COOLING, V-BANK AND SCREEN INTAKE

SY/BE/HA/CC-JRU  
REV.#7 06/15/2015



48 IN CLEARANCE REQUIRED ABOVE CONDENSERS

MODEL	WEIGHT*	#1	#2	CC	DD	EE
2 TON-G10	119 LBS	2 TON	N/A	26-5/16	56-1/16	52-3/8
3 TON-G10	134 LBS	3 TON	N/A	33-5/16	63-1/16	59-3/8
5 TON-G10	253 LBS	2 TON	3 TON	33-5/16	63-1/16	59-3/8
5 TON-G10	302 LBS	2.5 TON	2.5 TON	32-13/16	62-9/16	58-7/8
5 TON-G15	197 LBS	5 TON	N/A	32-13/16	69-9/16	65-7/8
7.5 TON-G15	348 LBS	2.5 TON	5 TON	32-13/16	69-9/16	65-7/8
8 TON-G15	331 LBS	3 TON	5 TON	33-5/16	71-11/16	68
10 TON-G15	394 LBS	5 TON	5 TON	32-13/16	69-9/16	65-7/8
10 TON-G18	394 LBS	5 TON	5 TON	32-13/16	76-3/16	70-7/8
10 TON-920	394 LBS	5 TON	5 TON	32-13/16	97-3/16	91-15/16



MAX. ROOF OPENING 2" SMALLER THAN CURB OUTSIDE DIMENSION

CURB/RAIL COMBINATION USED IN UNITS WITH 20" BLOWER: 20 IN HIGH EQUIPMENT CURB & RAIL

ALL DIMENSIONS ARE NOMINAL AND GIVEN IN INCHES.

MODEL	WEIGHT	UNIT DIMENSIONS											CURB/RAIL					DISCHARGE OPENING				
		A	B	C	D	E	F	G	H	I	J	K	L	M	N	O	P	R	S			
E1-G10	980 LBS	148-7/8	39-3/8	42-3/4	39	3-3/4	22-3/8	21	71	113-1/4	17-1/2	16	11	5-3/4								
E2-G15	1340 LBS	156-7/8	49-3/8	47-3/4	44	3-3/4	30-5/16	31	79	121-1/4	29-3/4	22-3/4	12-5/8	5-3/4								
E3-G18	1605 LBS	167-7/8	54-3/8	56-3/8	51-1/8	5-1/4	34-3/16	35	84	126-1/4	29-5/8	30	11-1/2	7-3/8								
E4-920	2560 LBS	208-3/16	60-7/16	64-3/8	59-1/8	5-1/4	47-1/4	42	115-3/16	169-1/2	36-3/4	34	12-1/2	7-3/8								

UNIT INFORMATION:

MODEL	TONNAGE RANGE		FILTER SIZE & QTY		MAX. FILTER VELOCITY	
	MIN	MAX				
E1-G10	2 Ton	5 Ton	20"x25"x2" (3)		@3600 CFM = 418 FPM	
E2-G15	5 Ton	10 Ton	16"x20"x2" (8)		@6500 CFM = 464 FPM	
E3-G18	10 Ton	10 Ton	20"x25"x2" (8)		@8000 CFM = 348 FPM	
E4-920	10 Ton	10 Ton	16"x20"x2" (15)		@13000 CFM = 495 FPM	