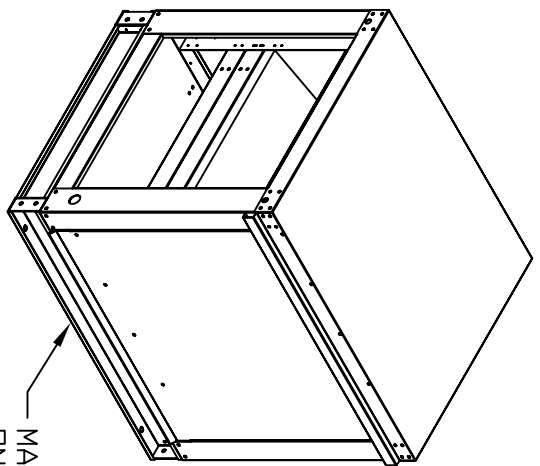
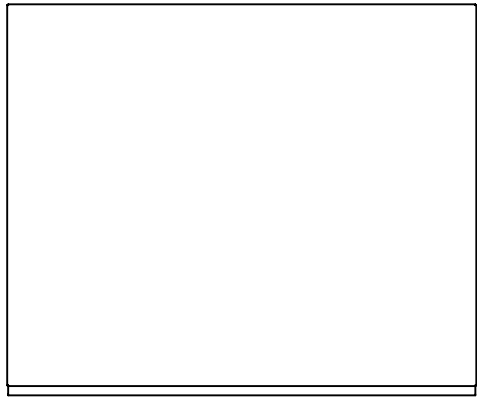
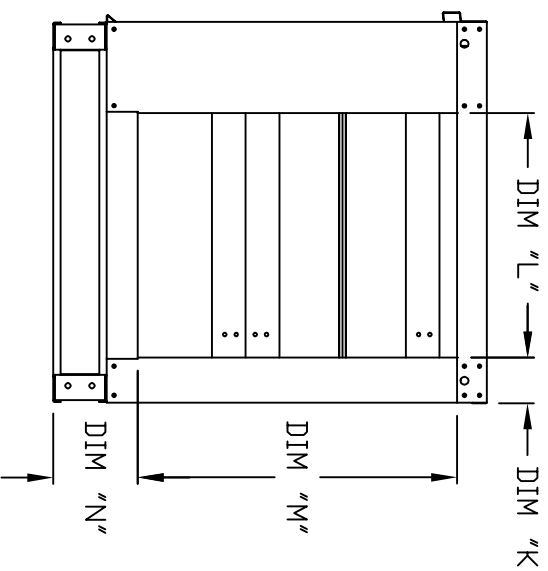
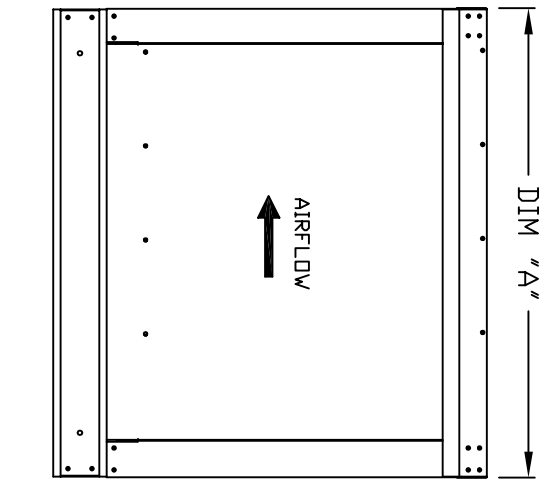
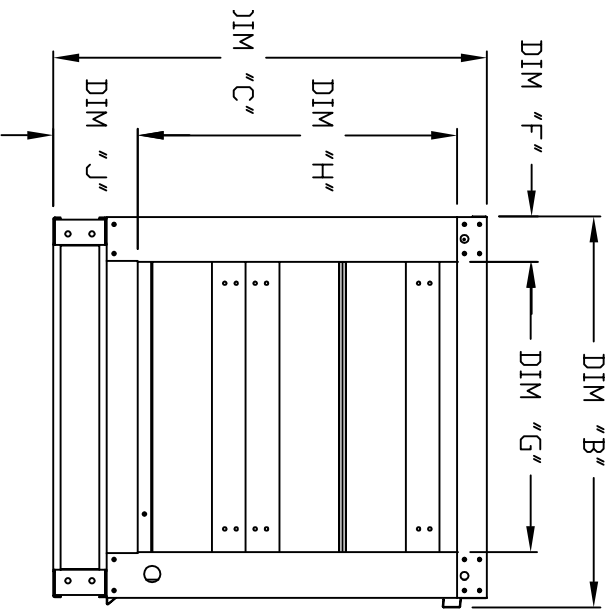


V-BANK FILTER INTAKE

VP-1
REV#2 10/16/2011



MAIN RAILS INCLUDED
ON MODULAR UNITS ONLY



UNIT INFORMATION				UNIT DIMENSIONS					DISCHARGE OPENING					INTAKE OPENING			
MODEL	WEIGHT	FILTER SIZE & QTY	MAX. FILTER VELOCITY	A	B	C	D	E	F	G	H	J	K	L	M	N	
VBI-01	95 LBS	20"x25"x2" (3)	@6500 CFM = 754 FPM	32-1/8	26-3/4	29-3/4	26	3-3/4	3-1/8	19-7/8	21-7/8	5-3/4	3-1/8	16-3/4	21-7/8	5-3/4	
VBI-02	135 LBS	16"x20"x2" (8)	@10500 CFM = 750 FPM	32-1/8	36-3/4	36-3/4	33	3-3/4	5-1/8	27-7/8	28-7/8	5-3/4	5-1/8	24-3/4	28-7/8	5-3/4	
VBI-03	165 LBS	20"x25"x2" (8)	@17250 CFM = 750 FPM	38-1/8	40-3/4	43-3/8	38-1/8	5-1/4	4-5/8	32-3/8	33-1/8	7-1/2	4-5/8	29-1/4	33-7/8	7-1/2	
VBI-04	235 LBS	16"x20"x2" (15)	@19500 CFM = 743 FPM	35-1/4	47-7/8	51-3/8	46-1/8	5-1/4	4-5/8	39-3/8	41-7/8	7-1/2	4-5/8	36-1/4	41-7/8	7-1/2	
VBI-05	295 LBS	20"x25"x2" (12)	@25500 CFM = 740 FPM	35-1/4	58-5/8	58-3/8	53-1/8	5-1/4	4-5/8	50-1/8	48-7/8	7-1/2	4-5/8	47	48-7/8	7-1/2	
VBI-06	301 LBS	20"x25"x2" (18)	@25500 CFM = 408 FPM	35-1/4	74-3/4	58-3/8	53-1/8	5-1/4	11-5/8	50-1/8	48-7/8	7-1/2	4-5/8	63-1/4	48-7/8	7-1/2	