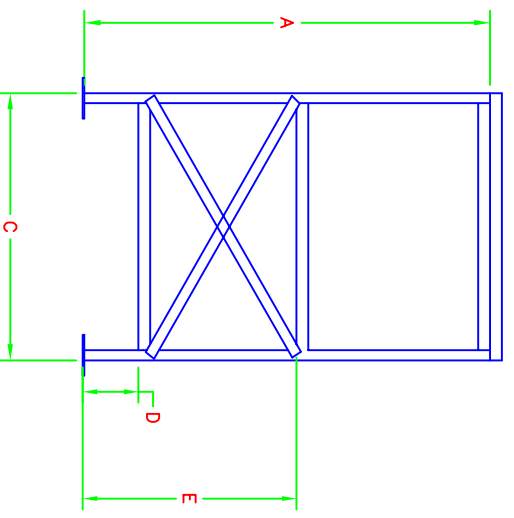
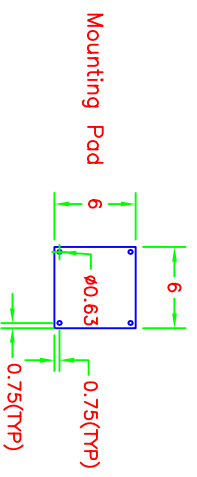
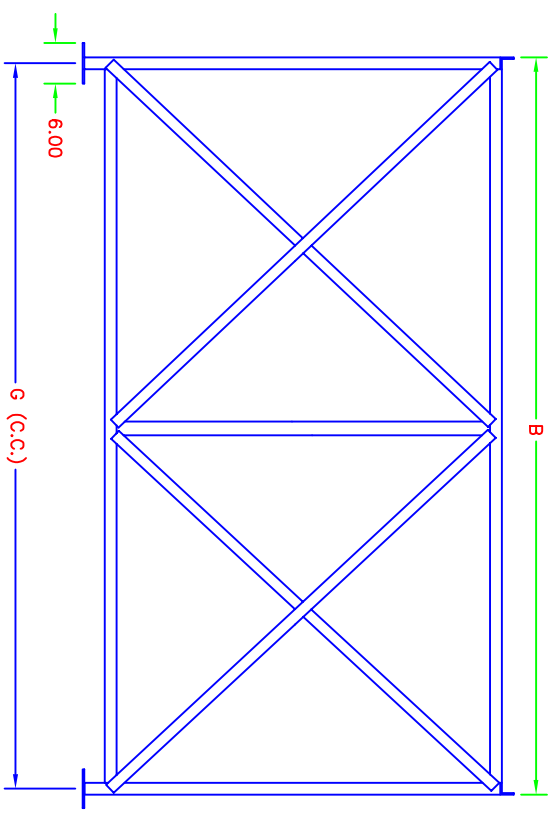
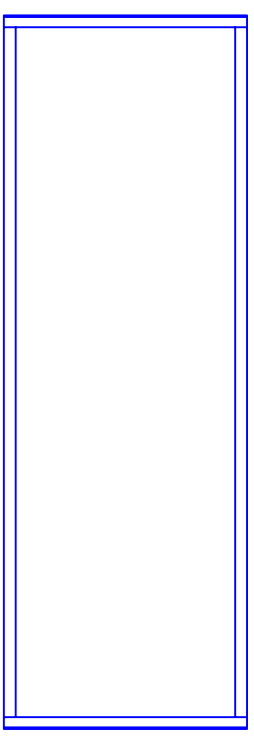


CASING	A	B	C	D	E	G
222/225	76.00	147	50.5	8	39.75	145
227/230	76.00	157	60.5	8	39.75	155
233/236	76.00	192	70.5	8	39.75	190



"A" is installation height  
Overall height is "A" plus 2"

PLOT SCALE  
1 = 1/8

NO.	DATE	BY	REVISIONS	TOLERANCES	MATERIAL	DRAWN BY	APPROVED BY	DATE	DATE
03	6/26/15	EDW		± 0.3 XXX PLACES		JSP			
02	9/11/12	FW		± 0.15 XXX PLACES					

VERTICAL UNITS SIZES 222 THRU 236  
VERTICAL MOUNTING STAND

SCALE 1 = 1/8

DRAWING NO. VMSO-7-9