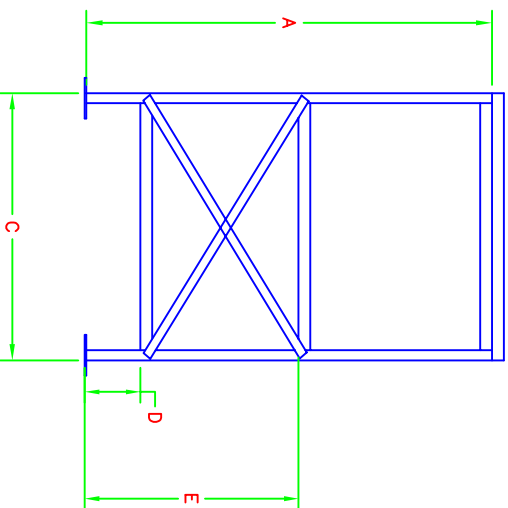


CASING	A	B	C	D	E	F	G
10	76.00	51	36	8	40.75	n/a	49.25
12/15	76.00	51	36	8	40.75	n/a	49.25
18	76.00	66	50	8	41.13	41.13	64.25
20	76.00	66	50	8	41.13	41.13	64.25
22/25	76.00	81	50	8	41.13	41.13	79.25
27/30	76.00	89	60	8	41.13	41.13	87.25
33/36	76.00	113	70	8	39.5	39.5	111

"A" is installation height
Overall height is "A" plus 2"



NO.	DATE	BY	TOLERANCES	MATERIAL	DRAWN BY	APPROVED BY
01	6/15/10	EDW	± 0.3 XXX PLACES	SCALE 1 = 1/8	JSP	
02	6/26/15	FDW	± 0.15 XXX PLACES			

VERTICAL UNITS SIZES 10 THRU 36
VERTICAL MOUNTING STAND

DRAWING NO.
VMSO-1-5