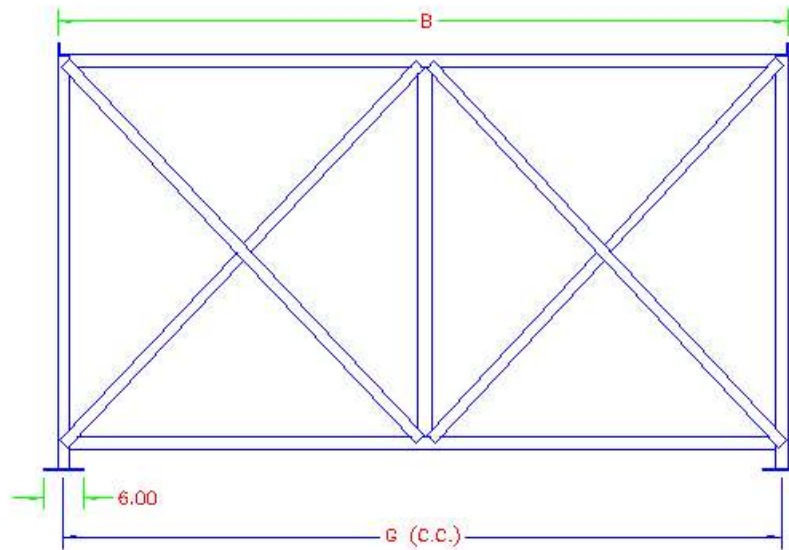
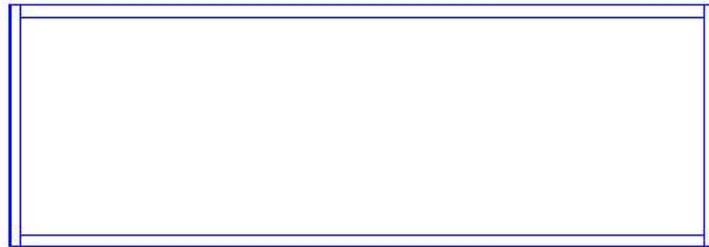
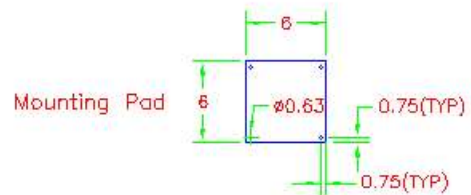
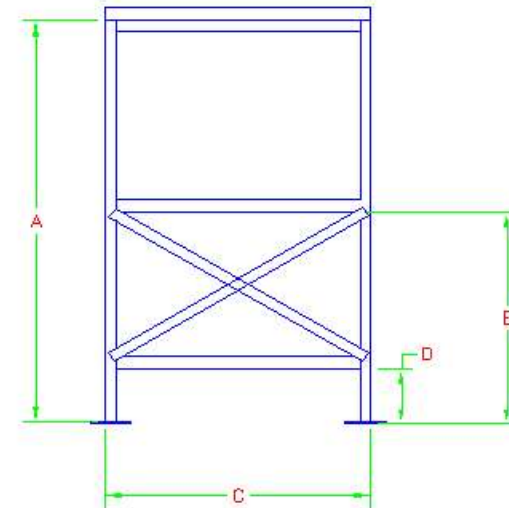


Vertical Mounting Stands

CASING	A	B	C	D	E		G
222/225	76.00	147	50.5	8	39.75		145
227/230	76.00	157	60.5	8	39.75		155
233/236	76.00	192	70.5	8	39.75		190



"A" is installation height
Overall height is "A" plus 2"



REVISIONS			TOLERANCES		NATERIAL	DRAWN BY	APPROVED BY	VERTICAL UNITS SIZES 222 THRU 236 VERTICAL MOUNTING STAND	
NO.	DATE	BY	XX PLACES			JSP			DRAWING NO.
03	6/26/15	EDW	±.03		SCALE	DATE	DATE		VM30-7-8
02	9/11/12	EW	XXX PLACES	±.015	1=18	06/07/95			

PLOT SCALE
1=18