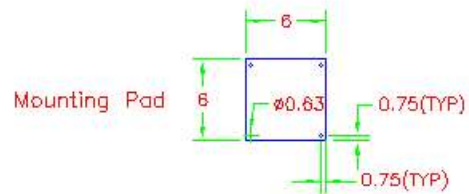
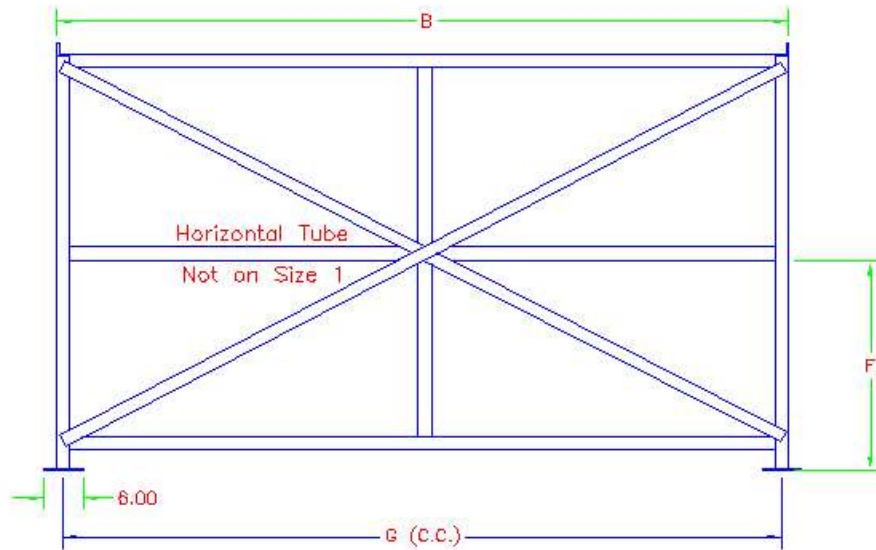
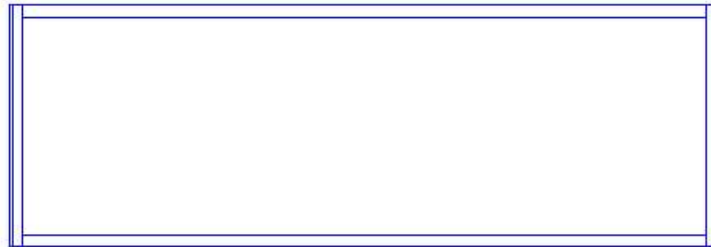
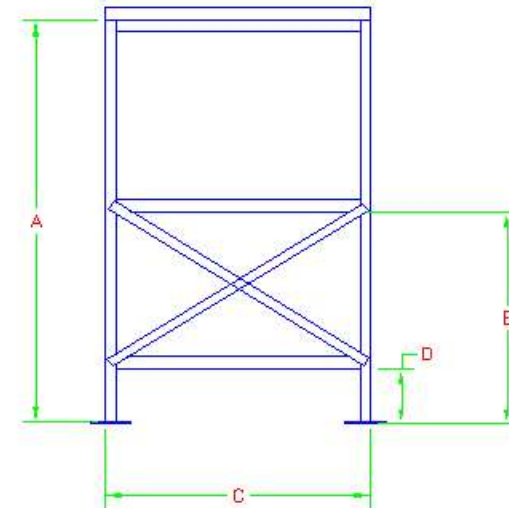


Vertical Mounting Stands



CASING	A	B	C	D	E	F	G
10	76.00	51	36	8	40.75	n/a	49.25
12/15	76.00	51	36	8	40.75	n/a	49.25
18	76.00	66	50	8	41.13	41.13	64.25
20	76.00	66	50	8	41.13	41.13	64.25
22/25	76.00	81	50	8	41.13	41.13	79.25
27/30	76.00	89	60	8	41.13	41.13	87.25
33/36	76.00	113	70	8	39.5	39.5	111

"A" is installation height
Overall height is "A" plus 2"



REVISIONS			TOLERANCES		NATERIAL	DRAWN BY	APPROVED BY	VERTICAL UNITS SIZES 10 THRU 36 VERTICAL MOUNTING STAND
NO.	DATE	BY	XX PLACES			JSP		
01	6/15/10	EDW	±.03		SCALE	DATE	DATE	DRAWING NO.
02	6/28/15	EDW	XXX PLACES		1=18	06/07/95		VM50-1-5
			±.015					

PLOT SCALE
1=18